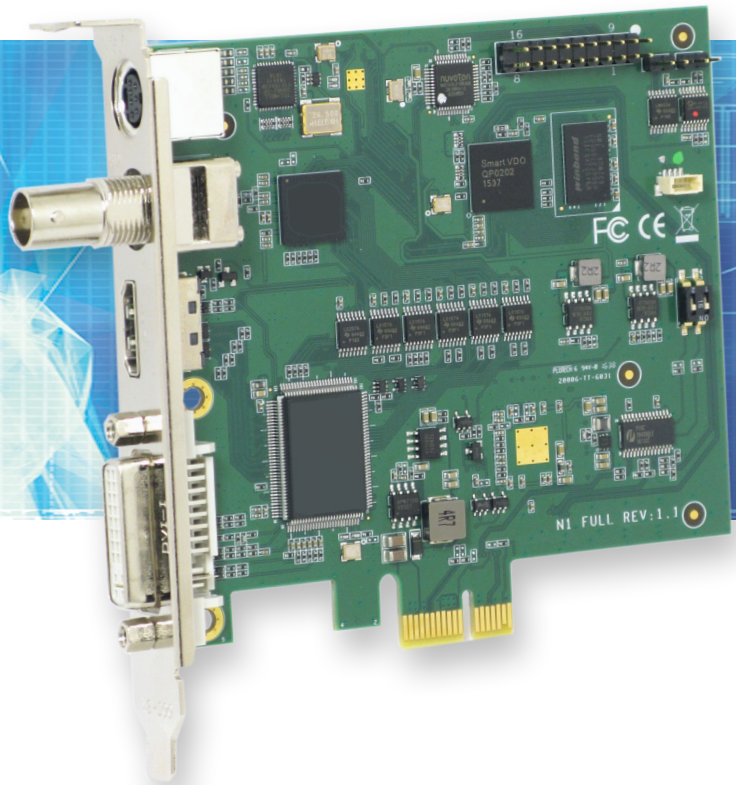


UFG-12 M

multi input
streaming capture board



Video and Audio Capture

UFG-12 Series is a modern PCIe bus based frame grabber family that captures both video and audio. UFG-12 family is compatible with standard DirectShow and V4L2 applications and the included SDK enables easy integration with customer own program in Windows environment. The efficient PCIe bus enables the high data throughput needed to capture crystal clear high resolution video. Application areas for the UFG-12 Series can be found in medical, industrial, multimedia or in maritime environment.

Multitude of Inputs

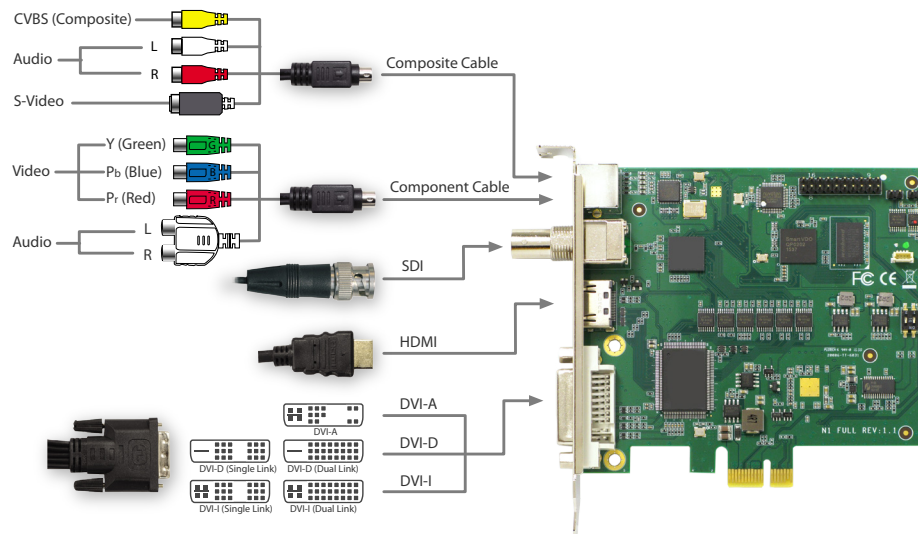
UFG-12 M frame grabber features five popular video input types from analog RGB to digital SDI. In addition to the embedded audio in HDMI and SDI, it can capture also discrete L / R audio. The flexibility makes UFG-12 M an optimal choice for e.g. as the capturing device for a Medical or Presentation Media PC.

Features

- 7 Video and 4 audio inputs conveniently in one board
- 1920x1080 Full HD at 50/60 fps
- HDMI and SDI embedded audio and L/R external audio
- DirectShow for Windows and V4L2 for Linux
- SDK for easy integration

UFG-12 M

multi input streaming capture board



Unigraf UFG-12 Series

UFG-12 Series is a modern all-in-one capture board family that is a direct continuation to UFG-10 series. It features five family members. The family features all popular interfaces from RGB to HDMI and SDI. UFG-12 boards can be used with either Windows and DirectShow or Linux and V4L2.

Five Family Members

The two models with a combination of five video and three audio inputs are optimal for media concentrators. **UFG-12 M** is for applications that need RAW capture and **UFG-12 MC** for applications gaining of HW compression.

The other three family members are **UFG-12 4H** with four parallel HDMI inputs, **UFG-12 2S** with two parallel SDI input and **UFG-12 HDMI 4K** with one HDMI 2.0 input.

Unigraf is a Reliable Choice

Unigraf's wide selection of frame grabber boards have gained their reputation in applications where the quality and reliability cannot be compromised. The same expectations apply also to Unigraf's whole operation from design to customer support.

Specifications

Inputs	DVI and RGB on DVI-I connector HDMI on HDMI (A) connector SDI on BNC connector YPbPr, CVBS, S-Video and Line-in Audio with supplied extension cables
Input Resolution	720x576i50 to 1920x1080p60
Color Coding	YUY2 / YV12 / NV12 / RGB24 / RGB32
Resolutions	Automatically detect common CEA and VESA modes
Audio	Embedded audio: LPCM, 2 channels, 16 bits, 32 to 48 kHz Line In: RCA L / R inputs
Support API	DirectShow, V4L2, FFmpeg, gstreamer
Support Language	C++, C#, .NET, Visual Basic, Qt, Delphi
Operating Systems	Windows® 10, 8.1, 8, 7 (64/32) Linux 2.6.14 or higher 64 / 32 bit drivers
Bus Interface	PCIe x1 (Gen2)
Module Size	107 × 101 mm

All specifications subject to change without notice.

