



SEALINE 15" MK3 MONITOR

The SeaLine Monitors are a series of rugged TFT LCD Displays. The traditional design and modular approach makes them highly suitable for retrofit into existing systems.

Our displays can be flush mounted or equipped with stand, turntable and/or sunshade, and please note that the SeaLine series have been approved with all accessories mounted. They are all provided with AD/DC inputs and can even be used as a part of an UPS system.



TECHNICAL SPECIFICATIONS 15" SEALINE MK3 MONITOR: SL150-01.MON.03-0001

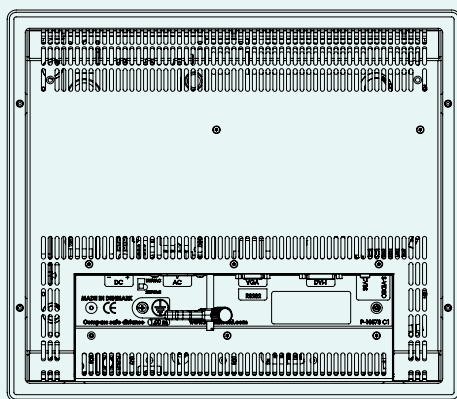
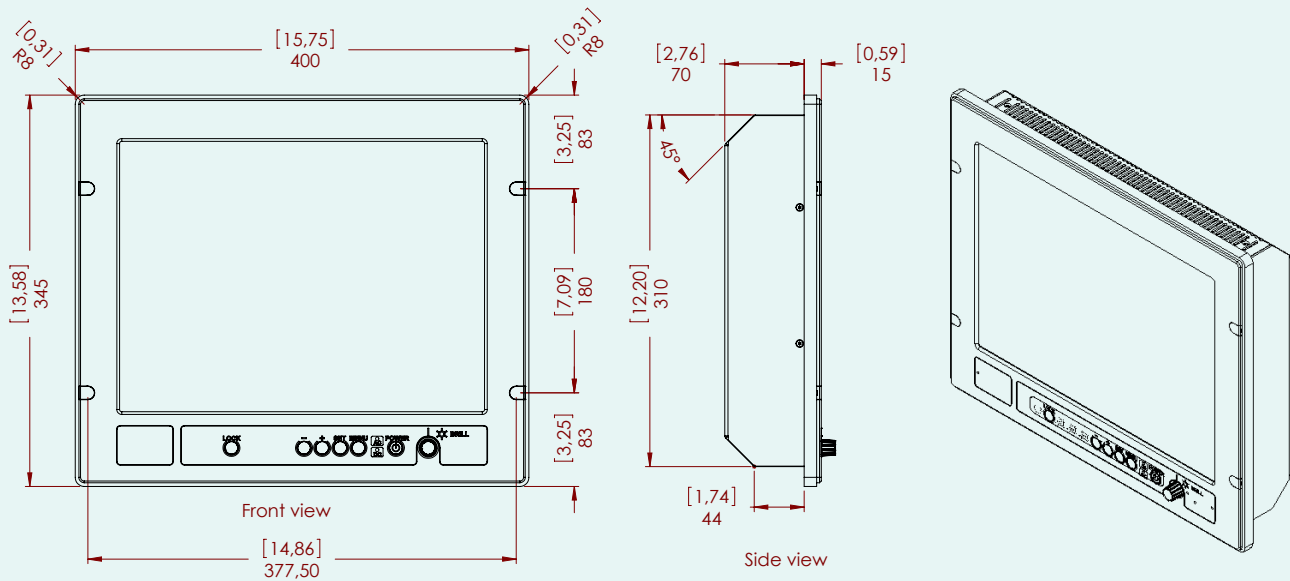
MATCHING STANDARDS	IEC 60945, IEC 60529 (IP), IACS E10. Designed to comply with MIL-STD-810F and MIL-STD-901D. Approved by BSH. Other approvals can be conducted on request.
DISPLAY SIZE	15.0" - 38.1cm. 304.1 (W) x 228.1 (H) mm
OVERALL DIMENSIONS	400 (W) x 345 (H) x 70 (D) mm - flush mounting 419 (W) x 389 (H) x 378 (D) mm - with stand and turntable
NET/GROSS WEIGHT	8.1 Kg (monitor only) / 10.9 Kg (monitor with stand and turntable)
RESOLUTION	Max 1.024 x 768 pixels (XGA)
SYNCHRONISATION	Separate/Composite, 15-100 kHz (H), 30-100 Hz (V)
RESPONSE TIME	19 ms
CONTRAST RATIO	450:1
DOT PITCH	0.297 (H) x 0.297 (V) mm
LIGHT INTENSITY	450 cd/m ²
NUMBERS OF COLOURS	16.7 Millions depending on graphics card
VIEWING ANGLE	150°
CONTROLS KNOBS	Power, Menu, Set, +, -, Lock. All with dimmable light.
POTENTIOMETER	Brightness (TFT Backlight intensity)
INDICATORS	Power indicator, AC or DC, dimmable LEDs
SUPPLY VOLTAGE	115 VAC ±10%, 230 VAC ±10% (switch), 24 VDC+30/-20%
POWER CONSUMPTION	40 W (AC) / 35 W (DC)
COLOURS	Front & back: RAL 7015. Stand & turntable RAL 9007. Other colours available on request.
ENCLOSURE PROTECTION	IP 66 & IP 67 mounted in console, with optional sealing kit (gasket & grease)
GLASS TYPE	Conturan® hardened, antiglare coated
CONTROL INPUT	RS 232 D-SUB 9 pin female
OPERATING/STORAGE TEMP.	-15/+55° C. +5/131° F (IEC 60945) / -25/+70° C. -13/158° F
INPUT	DVI-I (Analogue and Digital), VGA, Composite video, S-Video, AC power IEC Inlet and DC screw terminal
BACKLIGHT LIFE	Typ. 50.000 hours
DIMMING RANGE	0-100% (Dimming ratio 1.000:1)
ACCESSORIES	Sunshade SL150-01.SUN.01-0001, Classic Stand SL150-01.STA.01-0001, Classic Stand + Turntable SL150-01.STU.01-0001



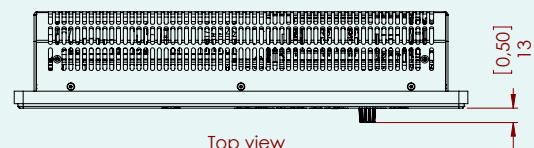
SEALINE 15" MK3 MONITOR

SEALINE 15" MK3 PANEL MOUNTED

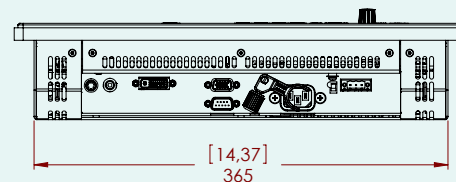
Note: All dimensions are in mm.



Back view



Top view



Bottom view

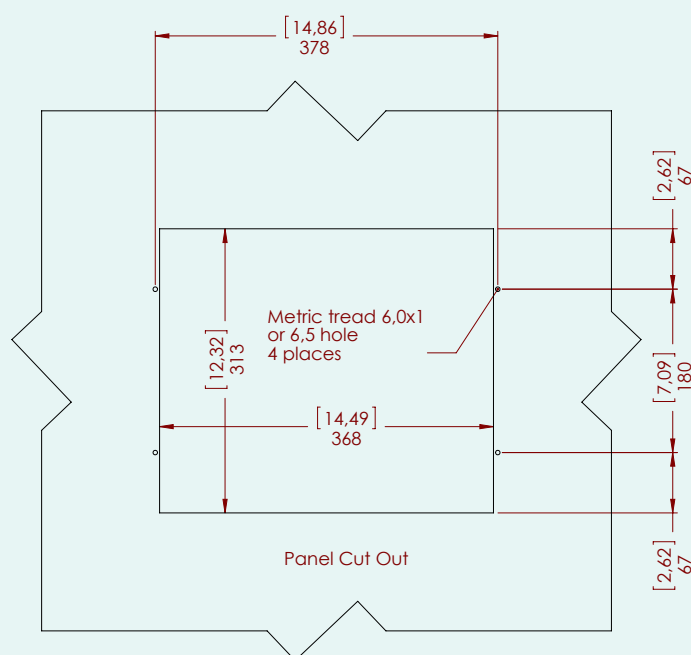
SL150-DS-REV3.0-01.2015



SEALINE 15" MK3 MONITOR

SEALINE 15" MK3 PANEL CUT OUT

Note: All dimensions are in mm.



Please note the following:

- All the mentioned marine and military standards can also be applied to the standard monitor.
- The approved vibration test has been conducted with monitors fully equipped with stand, turntable and sunshade, without significant amplifications.
- Monitors can match IP66 (dust proof and powerful jetting) and IP67 (dust proof and temporary immersion) requirements, with use of the optional sealing kit. It makes our monitors suitable for mounting on e.g. open bridge wings.
- The internal gasket of our front glass while being dust proof may still be permeable by vapour. In order to avoid both dust and dew building up inside the glass, please take a further contact with us.

The following is enclosed in a standard delivery:

- 1 x SL150-01.MON.03-0001, 15" Monitor
- 1 x User Manual for Sea Line Monitors (identical for 15", 19", 21.3" & 23.1" monitors)
- 1 x Power AC Cable / 1 x DC plug / 1 x VGA Cable
- 4 x M6 x 25, Stainless Steel screws for front mounting / 4 x Cover for M6 screws

SL150-DS-REV3.0-01.2015

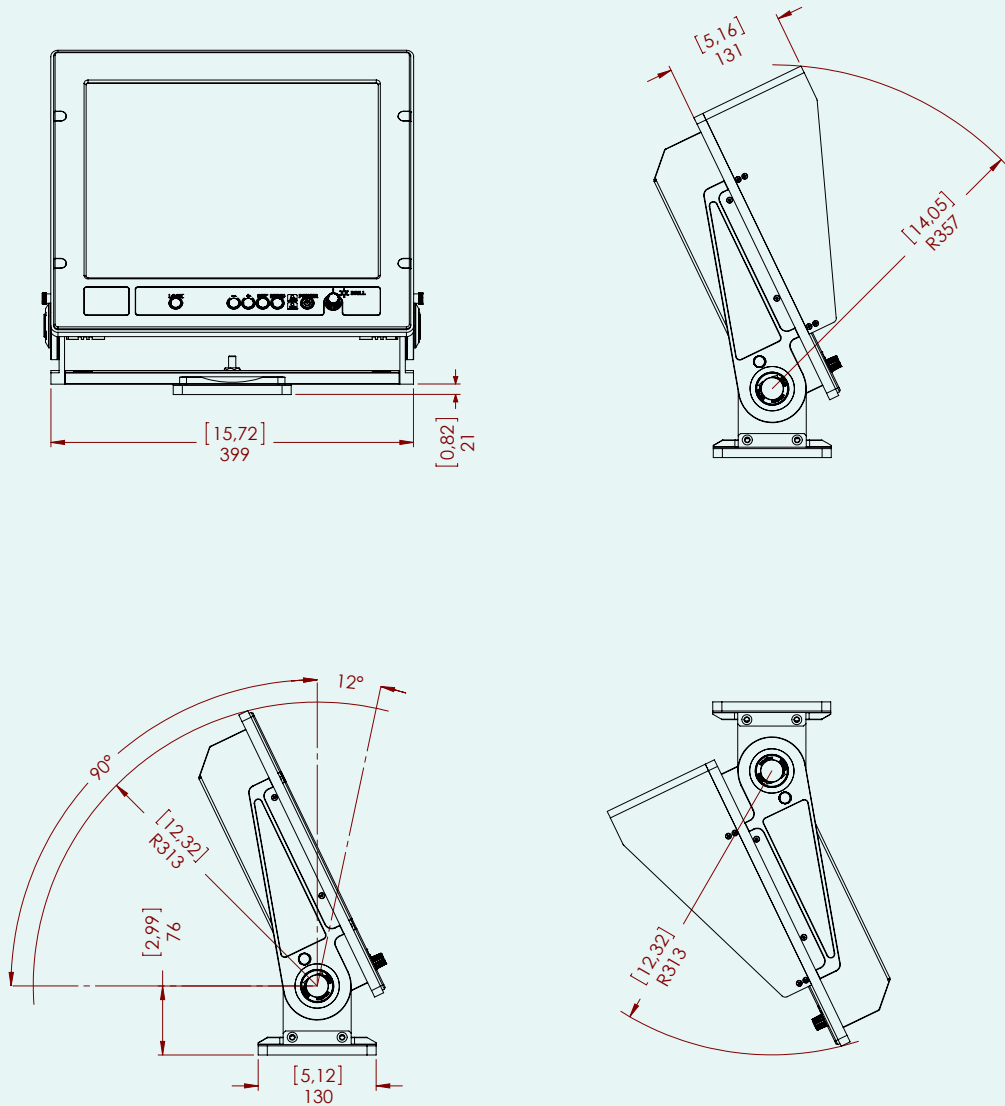
3



SEALINE 15" MK3 MONITOR

SEALINE 15" MK3 MOUNTED ON STAND

Note: All dimensions are in mm.



SL150-DS-REV3.0-01.2015