



# SEALINE 19" MK3 MONITOR

The SeaLine Monitors are a series of rugged TFT LCD Displays. The traditional design and modular approach makes them highly suitable for retrofit into existing systems.

Our displays can be flush mounted or equipped with stand, turntable and/or sunshade, and please note that the SeaLine series have been approved with all accessories mounted. They are all provided with AD/DC inputs and can even be used as a part of an UPS system. For improved performance and reliability backlight technology is based on LEDs.



## TECHNICAL SPECIFICATIONS 19" SEALINE MK3 MONITOR: SL190-02.MON.03-0001

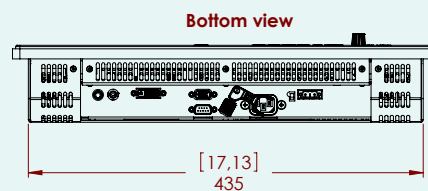
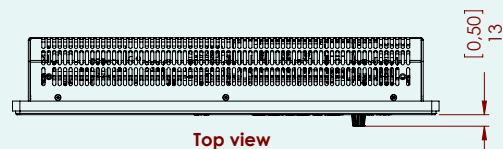
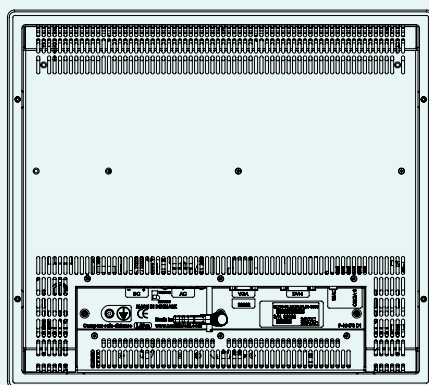
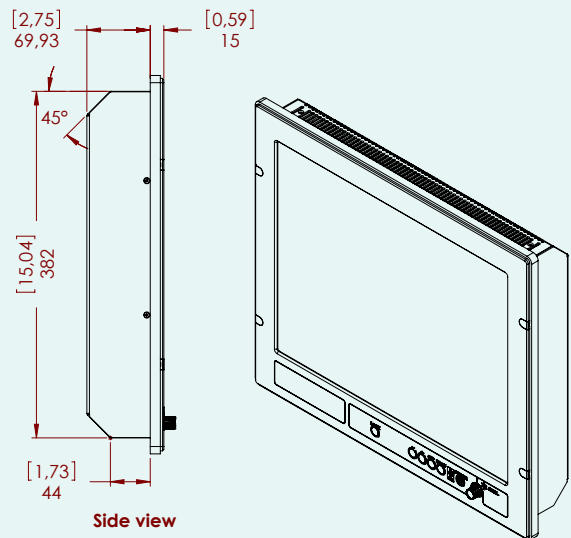
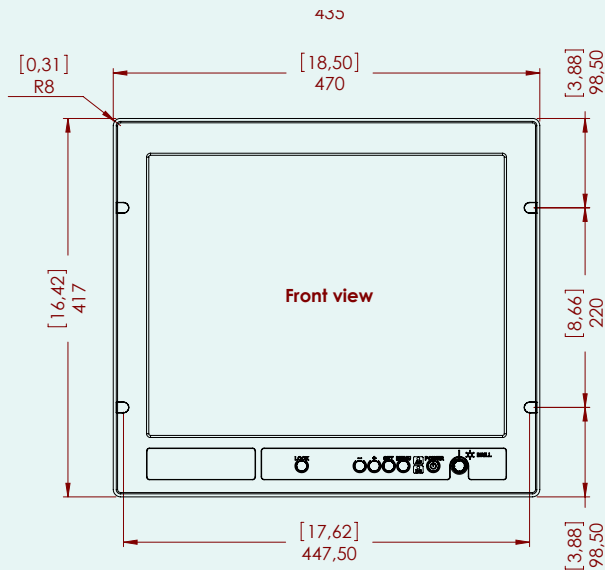
<b>MATCHING STANDARDS</b>	IEC 60945, IEC 61174 (ECDIS), IEC 60936 (RADAR), IEC 60529 (IP), IACS E10. Designed to comply with MIL-STD-810F & MIL-STD-901D. Approved by BSH.
<b>DISPLAY SIZE</b>	19.0" - 482.6 mm. 376.3 (Hor) x 301.06 (Ver) mm
<b>OVERALL DIMENSIONS</b>	470 (W) x 417 (H) x 70 (D) mm - flush mounting 488.5 (W) x 470 (H) x 449 (D) mm - with stand and turntable
<b>NET/GROSS WEIGHT</b>	10.9 Kg (monitor only) / 14 Kg (monitor with stand and turntable)
<b>RESOLUTION</b>	Max. 1.280 x 1.024 pixels (SXGA)
<b>SYNCHRONISATION</b>	Separate/Composite, 15-100 kHz (H), 30-100 Hz (V)
<b>RESPONSE TIME</b>	13 ms
<b>CONTRAST RATIO</b>	1.500:1
<b>DOT PITCH</b>	0.294 (H) x 0.294 (V) mm
<b>LIGHT INTENSITY</b>	Typ 300 cd/m <sup>2</sup>
<b>NUMBERS OF COLOURS</b>	16.7 Millions depending on graphics card
<b>VIEWING ANGLE</b>	Typ 178°
<b>CONTROLS KNOBS</b>	Power, Menu, Set, +, -, Lock. All with dimmable light.
<b>POTENTIOMETER</b>	Brightness (TFT Backlight intensity)
<b>INDICATORS</b>	Power indicator, AC or DC, dimmable LEDs
<b>SUPPLY VOLTAGE</b>	115 VAC ±10%, 230 VAC ±10% (switch), 24 VDC+30/-20%
<b>POWER CONSUMPTION</b>	45 W (AC) / 40 W (DC)
<b>COLOURS</b>	Front and back: RAL 7015. Stand and turntable: RAL 9007
<b>ENCLOSURE PROTECTION</b>	IP 66 & IP 67 mounted in console, with optional sealing kit (gasket & grease)
<b>GLASS TYPE</b>	Conturan® hardened, antiglare coated
<b>CONTROL INPUT</b>	RS 232 D-SUB 9 pin female
<b>OPERATING/STORAGE TEMP.</b>	-15/+55° C. +5/131° F (IEC 60945) / -20/+60° C. -4/140° F
<b>INPUT</b>	DVI-I (Analogue and Digital), VGA, Composite video, S-Video, AC power IEC Inlet & DC screw terminal
<b>BACKLIGHT LIFE</b>	Typ. 50.000 hours
<b>DIMMING RANGE</b>	0-100% (Dimming ratio 1.000:1)
<b>ACCESSORIES</b>	Sunshade SL190-01.SUN.01-0001, Classic Stand SL190-01.STA.02-0001, Classic Stand + Turntable SL190-01.STU.02-0001



# SEALINE 19" MK3 MONITOR

## SEALINE 19" MK3 PANEL MOUNTED

Note: All dimensions are in mm.

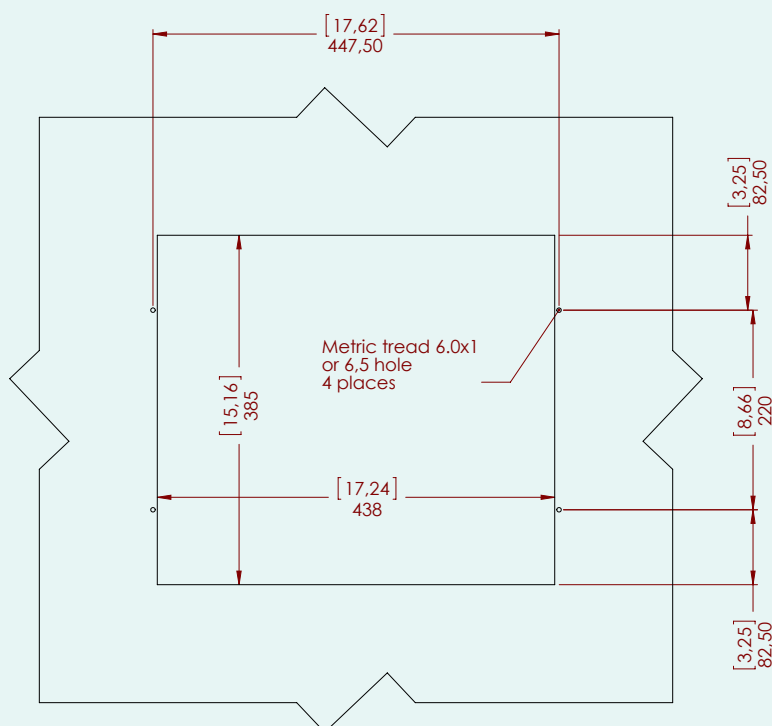




# SEALINE 19" MK3 MONITOR

## SEALINE 19" MK3 PANEL CUT OUT

Note: All dimensions are in mm.



Please note the following:

- All the mentioned marine and military standards can also be applied to the standard monitor.
- The approved vibration test has been conducted with monitors fully equipped with stand, turntable and sunshade, without significant amplifications.
- Monitors can match IP66 (dust proof and powerful jetting) and IP67 (dust proof and temporary immersion) requirements, with use of the optional sealing kit. It makes our monitors suitable for mounting on e.g. open bridge wings.
- The internal gasket of our front glass while being dust proof may still be permeable by vapour. In order to avoid both dust and dew building up inside the glass, please take a further contact with us.

The following is enclosed in a standard delivery:

- 1 x SL190-02.MON.03-0001, 19" Monitor
- 1 x User Manual for Sea Line Monitors (identical for 15", 19", 21.3" & 23.1" monitors) 1 x Power AC Cable / 1 x DC plug / 1 x VGA Cable
- 4 x M6 x 25, Stainless Steel screws for front mounting / 4 x Cover for M6 screws

SL190-DS-REV3.0-01.2015

ALTRONICS  
CS 69024, F-69811 Tassin

Tel : +33 (0) 472 370 470

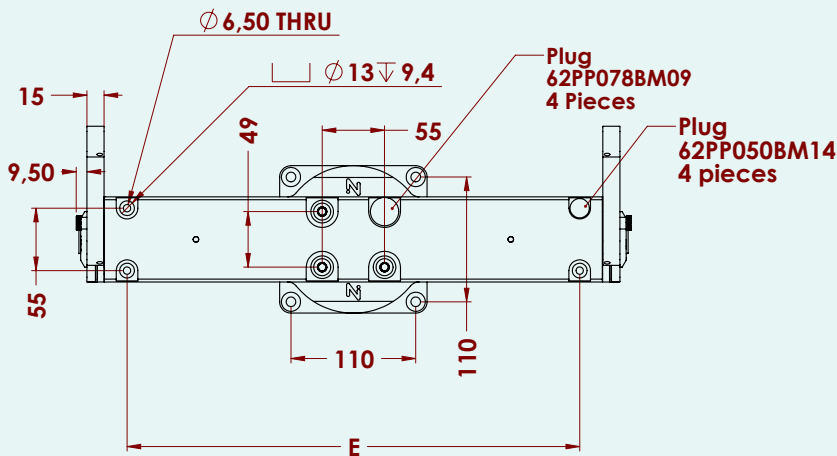
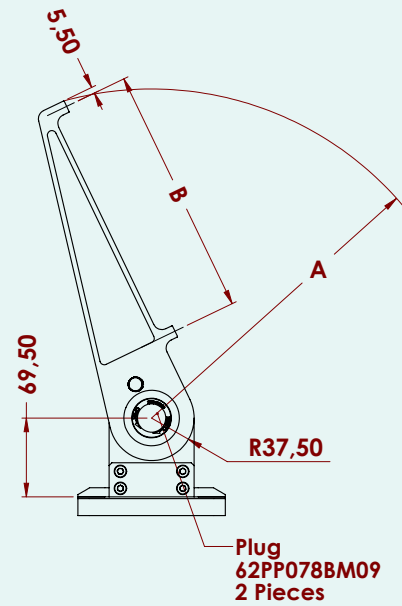
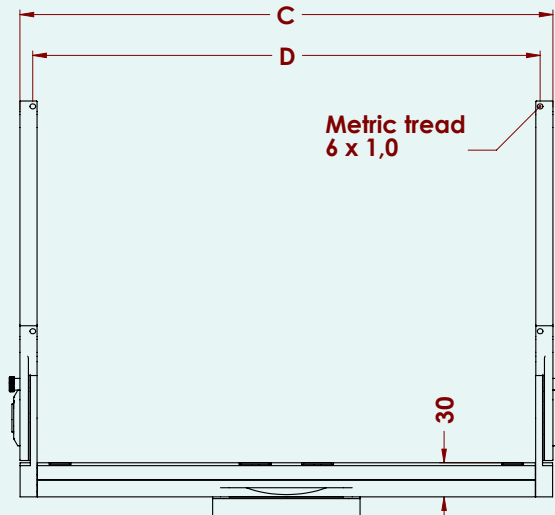
[info@altronics.fr](mailto:info@altronics.fr)  
[www.altronics.fr](http://www.altronics.fr)



# SEALINE 19" MK3 MONITOR

## SEALINE 19" MK3 MOUNTING STAND

Note: All dimensions are in mm.



- A. 290 mm
- B. 220 mm
- C. 470 mm
- D. 447.5 mm
- E. 399 mm

SL190-DS-REV3.0-01.2015

ALTRONICS  
CS 69024, F-69811 Tassin

Tel : +33 (0) 472 370 470  
 ALTRONICS

[info@altronics.fr](mailto:info@altronics.fr)  
[www.altronics.fr](http://www.altronics.fr)

