



SEALINE 21,3" MK3 MONITOR

The Sealine Monitors are a series of rugged TFT LCD Displays. The traditional design and modular approach makes them highly suitable for retrofit into existing systems.

Our displays can be flush mounted or equipped with stand, turntable and/or sunshade, and please note that the Sealine series have been approved with all accessories mounted. They are all provided with AD/DC inputs and can even be used as a part of an UPS system.



TECHNICAL SPECIFICATIONS 21,3" SEALINE MK3 MONITOR: SL213-01.MON.03-0001

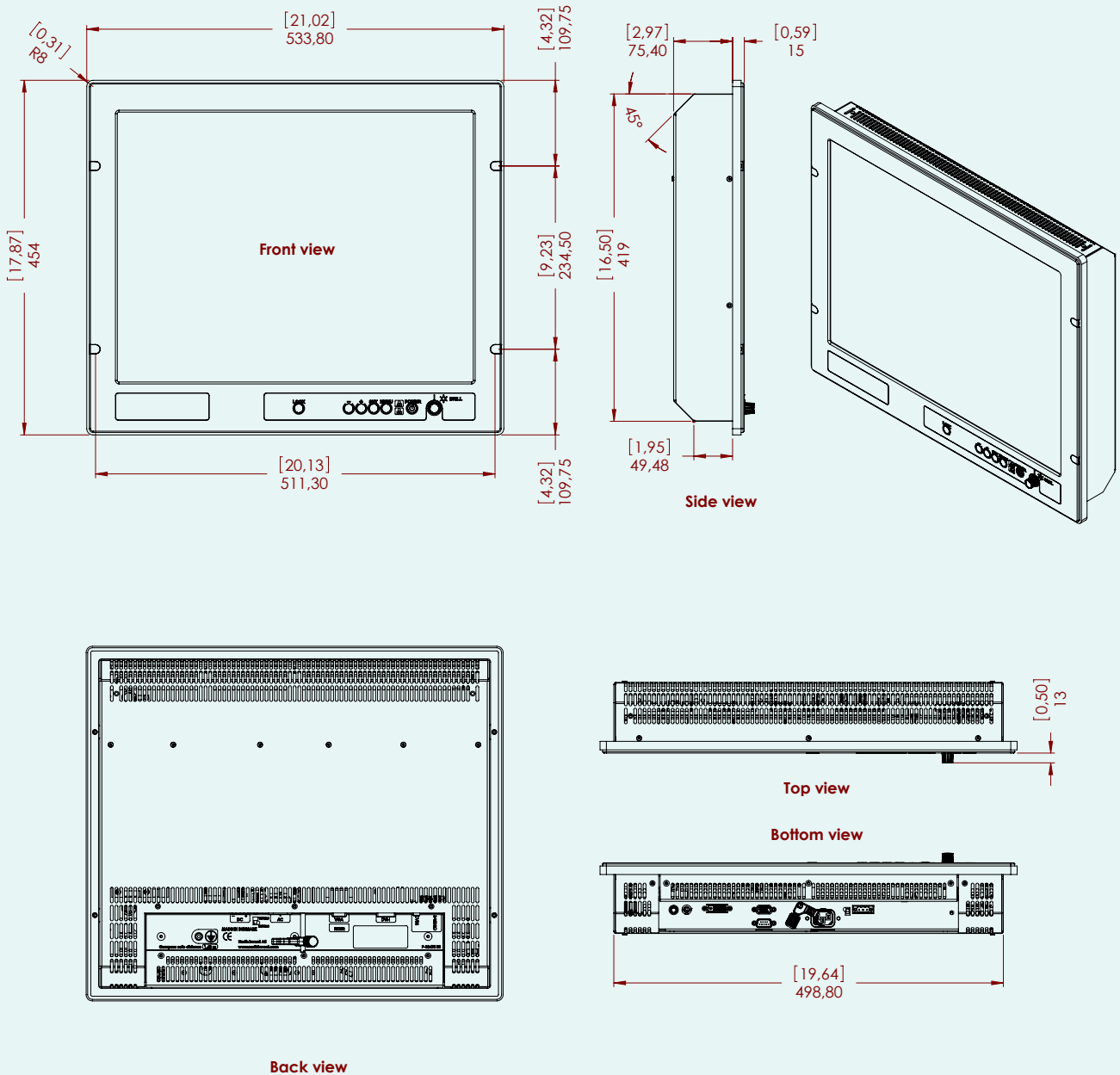
MATCHING STANDARDS	IEC 60945, IEC 61174 (ECDIS), IEC 60936 (RADAR), IEC 60529 (IP), IACS E10. Designed to comply with MIL-STD-810F and MIL-STD-901D. Approved by BSH. Other approvals can be conducted on request.
DISPLAY SIZE	21.3" - 54.1cm. 432 (W) x 324 (H) mm
OVERALL DIMENSIONS	533.8 (W) x 454 (H) x 75.4 (D) mm - flush mounting 551 (W) x 506 (H) x 485 (D) mm - with stand and turntable
NET/GROSS WEIGHT	13.8 Kg (monitor only) / 17.4 Kg (monitor with stand and turntable)
RESOLUTION	Max 1.600 x 1.200 pixels (UXGA)
SYNCHRONISATION	Separate/Composite, 15-100 kHz (H), 30-65 Hz (V)
RESPONSE TIME	16 ms
CONTRAST RATIO	900:1
DOT PITCH	0.270 (H) x 0.270 (V) mm
LIGHT INTENSITY	300 cd/m ²
NUMBERS OF COLOURS	16.7 Millions depending on graphics card
VIEWING ANGLE	178°
CONTROLS KNOBS	Power, Menu, Set, +, -, Lock. All with dimmable light.
POTENTIOMETER	Brightness (TFT Backlight intensity)
INDICATORS	Power indicator, AC or DC, dimmable LEDs
SUPPLY VOLTAGE	115 VAC ±10%, 230 VAC ±10% (switch), 24 VDC+30/-20%
POWER CONSUMPTION	65W (AC) / 55W (DC)
COLOURS	Front and back: RAL 7015. Stand and turntable: RAL 9007. Other colours available on request.
ENCLOSURE PROTECTION	IP 66 & IP 67 mounted in console, with optional sealing kit (gasket & grease)
GLASS TYPE	Conturan® hardened, antiglare coated
CONTROL INPUT	RS 232 D-SUB 9 pin female
OPERATING/STORAGE TEMP.	-15/+55° C. +5/131° F (IEC 60945) / -25/+70° C. -13/158° F
INPUT	DVI-I (Analogue and Digital), VGA, Composite video, S-Video, AC power IEC Inlet and DC screw terminal
BACKLIGHT LIFE	Typ. 50.000 hours
DIMMING RANGE	0-100% (Dimming ratio 1.000:1)
ACCESSORIES	Sunshade SL213-01.SUN.01-0001, Classic Stand SL213-01.STA.02-0001, Classic Stand + Turntable SL213-01.STU.02-0001



SEALINE 21,3" MK3 MONITOR

SEALINE 21,3" MK3 PANEL MOUNTED

Note: All dimensions are in mm.



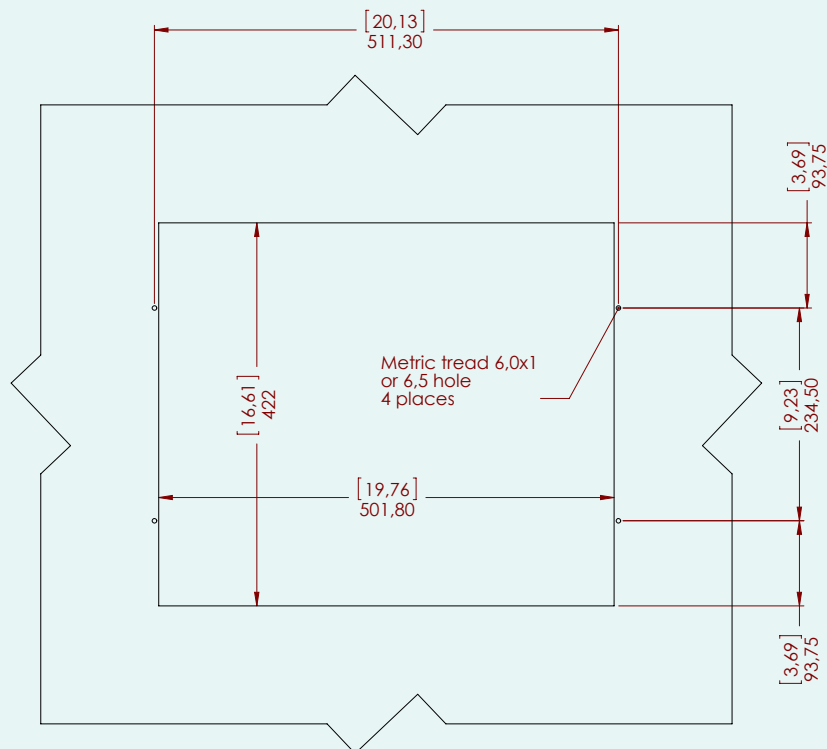
SL213-DS-REV3.0-01.2015



SEALINE 21,3" MK3 MONITOR

SEALINE 21,3" MK3 PANEL CUT OUT

Note: All dimensions are in mm.



Please note the following:

- All the mentioned marine and military standards can also be applied to the standard monitor.
- The approved vibration test has been conducted with monitors fully equipped with stand, turntable and sunshade, without significant amplifications.
- Monitors can match IP66 (dust proof and powerful jetting) and IP67 (dust proof and temporary immersion) requirements, with use of the optional sealing kit. It makes our monitors suitable for mounting on e.g. open bridge wings.
- The internal gasket of our front glass while being dust proof may still be permeable by vapour.
In order to avoid both dust and dew building up inside the glass, please take a further contact with us.

The following is enclosed in a standard delivery:

- 1 x SL 213-01.MON.03-0001, 21.3" Monitor
- 1 x User Manual for Sea Line Monitors (identical for 15", 19", 21.3" & 23.1" monitors) 1 x Power AC Cable / 1 x DC plug / 1 x VGA Cable
- 4 x M6 x 25, Stainless Steel screws for front mounting / 4 x Cover for M6 screws

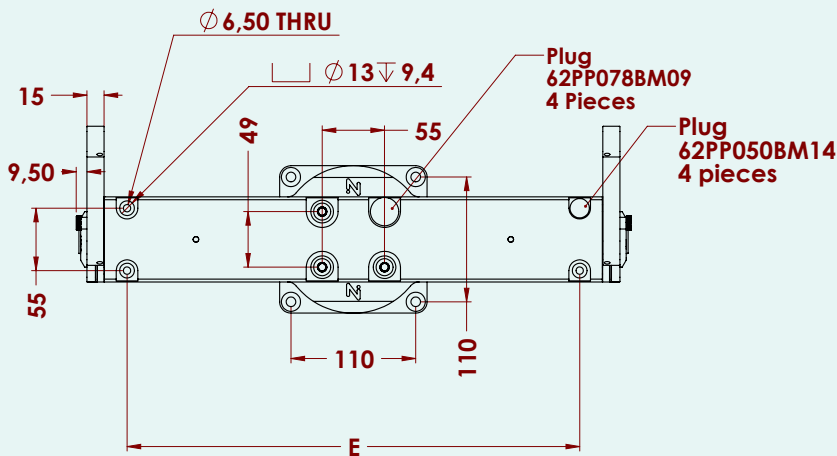
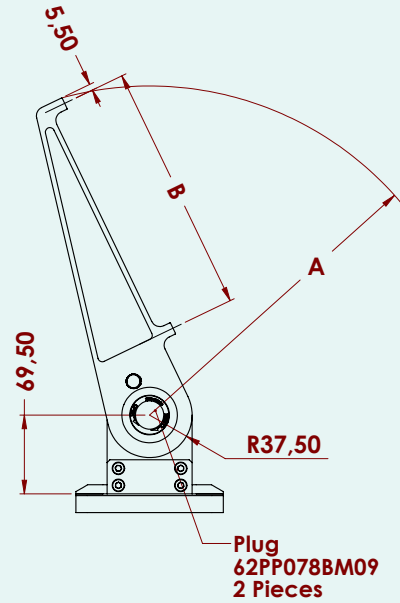
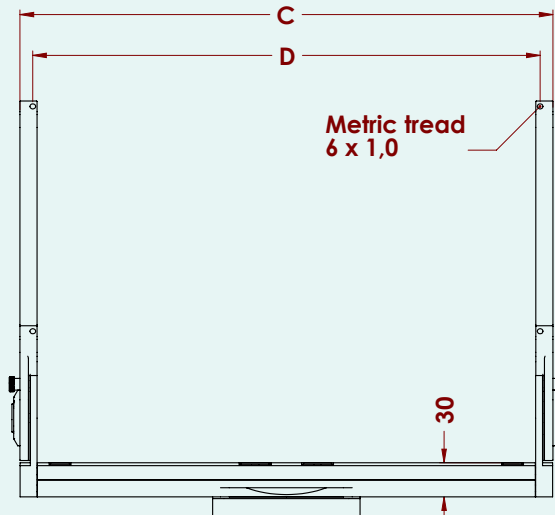
SL213-DS-REV3.0-01.2015



SEALINE 21,3" MK3 MONITOR

SEALINE 21,3" MK3 MOUNTING STAND

Note: All dimensions are in mm.



- A. 315.5 mm
- B. 334.5 mm
- C. 533.5 mm
- D. 511 mm
- E. 462.6 mm

SL213-DS-REV3.0-01.2015