



# WAVE 21,5" MONITOR

The Wave Monitors are a series of well-designed, rugged LED displays. Our monitors are built following a modular approach, making them suitable for OEM as well as Private Label versions.

Our displays can be flush mounted with a panel mounting kit or standing with hinge mounted to table. It can even be mounted with hinge hanging from the roof (no HMI). Sunshade and Vesa adaptor are also available.

All our monitors are provided with AC/DC inputs and can even be used as a part of a UPS system. For improved performance and reliability backlight is based on LED technology.



## TECHNICAL SPECIFICATIONS 21,5" WAVE MONITOR

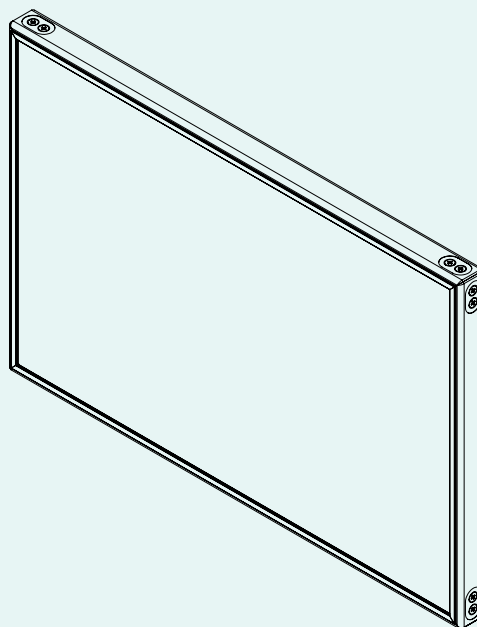
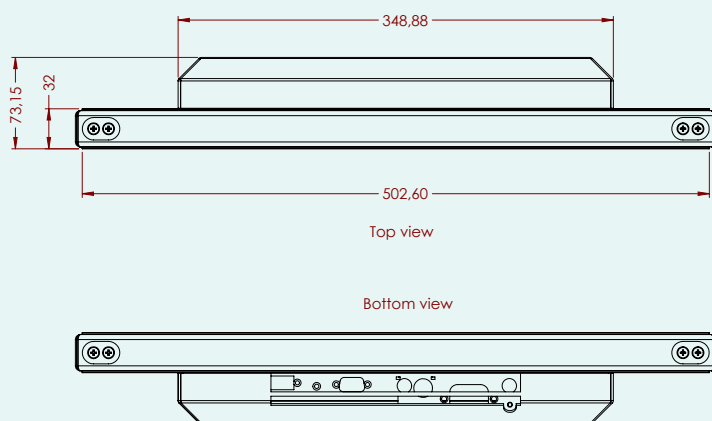
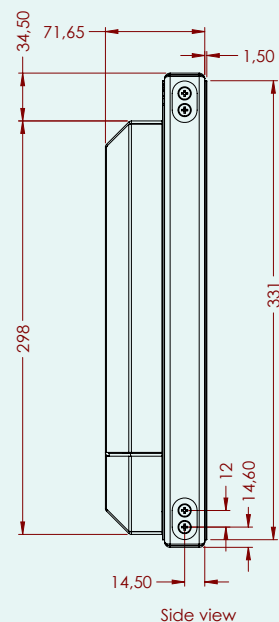
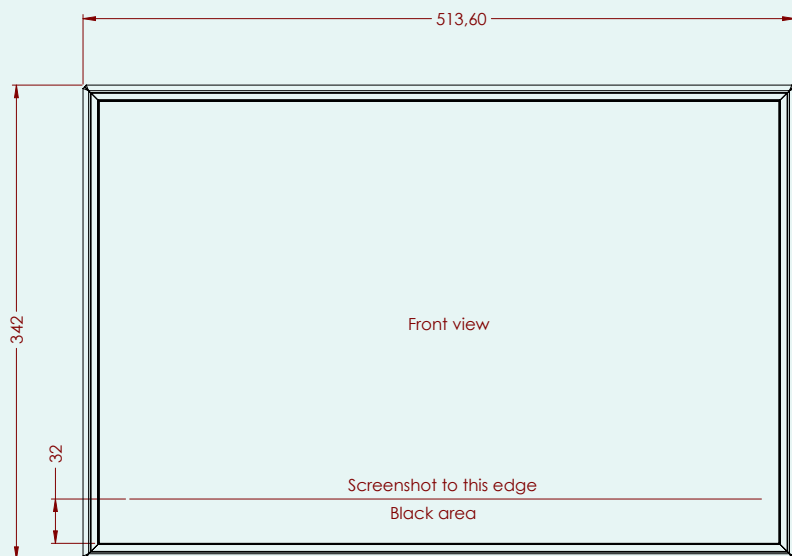
MATCHING STANDARDS	IEC 60945, IEC 62.288, IEC 62.388, IEC 60529 (IP), IACS E10. Designed to comply with MIL-STD-810F & MIL-STD-901D. Reports available on request.
DISPLAY SIZE	21,5" - 546,86 mm, active area 476.64 (Hor) x 268,11 (Ver) mm
OVERALL DIMENSIONS	513.6 (W) x 342 (H) x 73.2 (D) mm - console mounting (ex mounting kit) 414 (W) x 377 (H) x 73.2 (D) mm - with Hinge (ex HMI)
NET/GROSS WEIGHT	9.0 Kg (monitor with hinge and HMI)
RESOLUTION	Max 1920 x 1080 pixels (Full HD)
SYNCHRONISATION	Separate/Composite, 15-100 kHz (H), 30-65 Hz (V)
RESPONSE TIME	16 ms
CONTRAST RATIO	5000:1 (typ)
DOT PITCH	0,24825 (H) x 0,24825 (V) mm
LIGHT INTENSITY	300 cd/m2 (typ)
NUMBERS OF COLOURS	16.7 Millions depending on graphics card
VIEWING ANGLE	±89°
CONTROLS KNOBS	Lock, +, -, (Brilliance), Set, Menu and Power
INDICATORS	Power indicator, AC or DC
DC VOLTAGE OUT	12 VDC, 30W, connector KPXJ-3S, matching male connector KPPX-3P
SUPPLY VOLTAGE	90-264 VAC, 24 VDC -20/+30%
POWER CONSUMPTION	App.40 W (AC) / 40 W (DC)
COLOURS	Front & back: RAL 9005 structure. Stand RAL 9005 structure.
ENCLOSURE PROTECTION	IP 42
GLASS TYPE	Conturan® or Glacier AR antiglare coated
CONTROL INPUT	RS 232 D-SUB 9 pin female
OPERATING/STORAGE TEMP.	-15/+55° C. +5/131° F (IEC 60945) / -20/+60° C. -4/140° F
INPUT	DVI-I (Analogue and Digital), VGA, Composite video, S-Video, AC power IEC Inlet & DC screw terminal
BACKLIGHT LIFE	Typ. 50.000 hours
DIMMING RANGE	0-100%
ACCESSORIES	Sunshade WA215-01.SUN.01, Panel Mounting Kit WA215-01.PAN.01, Panel Mounting Kit incl HMI WA215-02.PAN.01, Vesa adaptor WA215-01.VES.01
CONFIGURATION-0001 FLUSH MOUNTED	
CONFIGURATION-1001 MOUNTED ON HINGE (NO HMI)	
CONFIGURATION-2001 MOUNTED ON HINGE (WITH HMI)	
CONFIGURATION-3001 TOP MOUNTED HINGE (NO HMI)	
CONFIGURATION-4001 PANEL MOUNTED WITH INTEGRATED HMI	
CONFIGURATION-5001 PANEL MOUNTED WITHOUT INTEGRATED HMI	



# WAVE 21,5" MONITOR

WAVE 21,5" FLUSH MOUNTED: WA215-01.MON.01-0001

Note: All dimensions are in mm.



The following is enclosed in a standard delivery:

1 x WA215-01,MON.01-5001, 21,5" Monitor

1 x User Manual for Sea Line Monitors (identical for 19", 21.5", 24" & 27" monitors) 1 x Power AC Cable / 1 x DC plug / 1 x VGA Cable

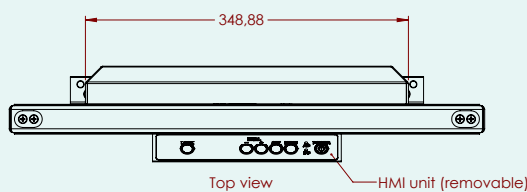
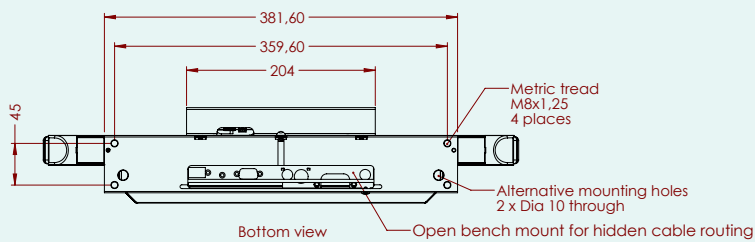
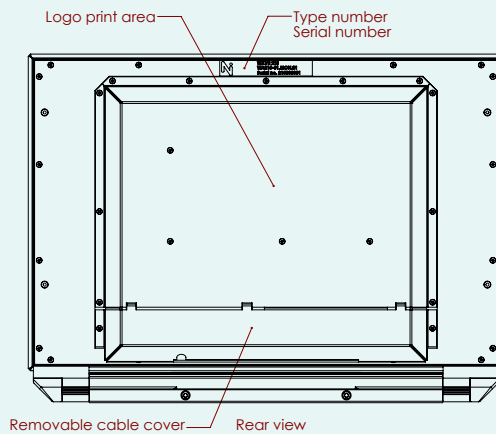
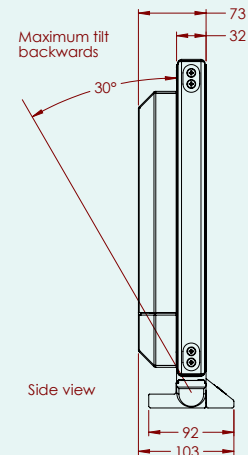
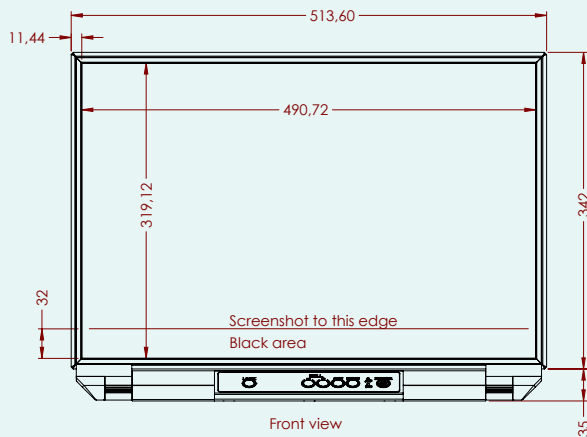
WA215-DS-REV3.0-01.2015



# WAVE 21,5" MONITOR

WAVE 21,5" WITH HINGE: WA215-01.MON.01-1001 (NO HMI) OR WA215-01.MON.01-2001 (WITH HMI)

Note: All dimensions are in mm.



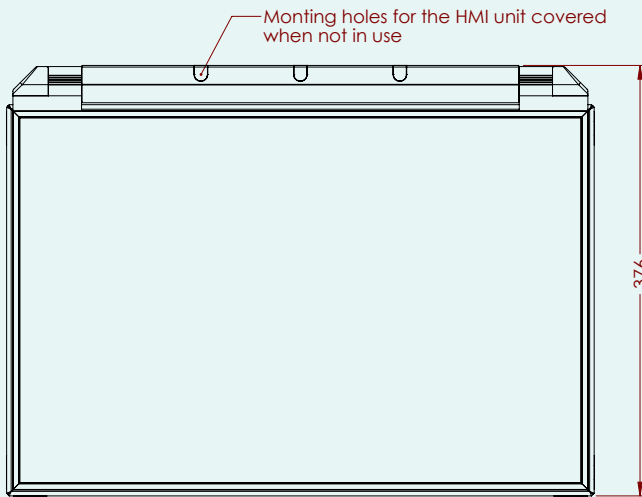
WA215-DS-REV3.0-01.2015



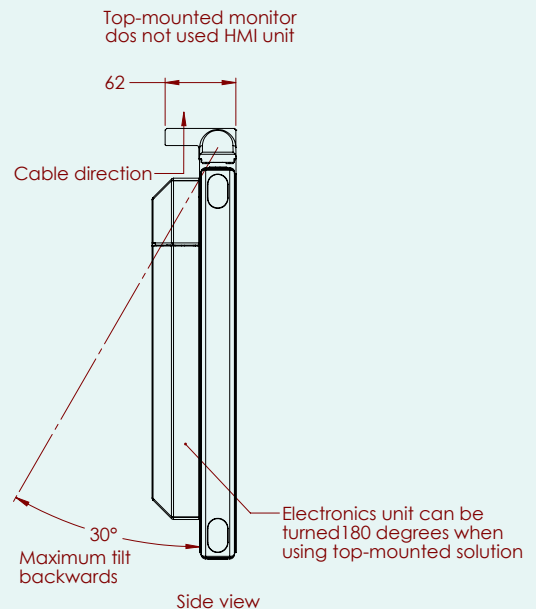
# WAVE 21,5" MONITOR

## WAVE 21,5" WITH TOP MOUNTED HINGE: WA215-01.MON.01-3001

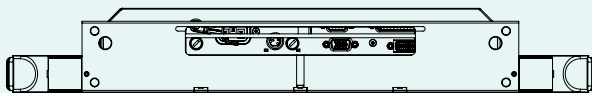
Note: All dimensions are in mm.



Front view



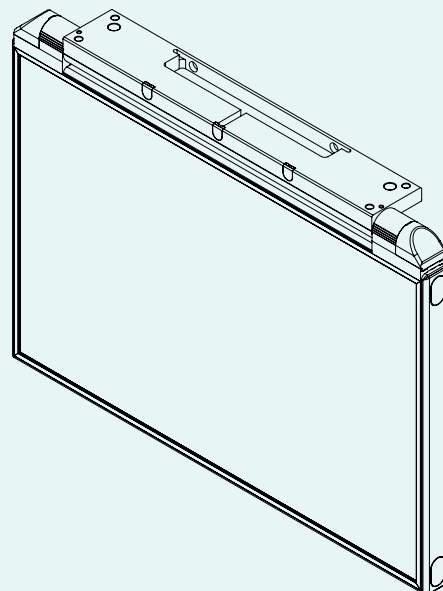
Side view



Top view



Bottom view

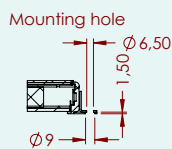
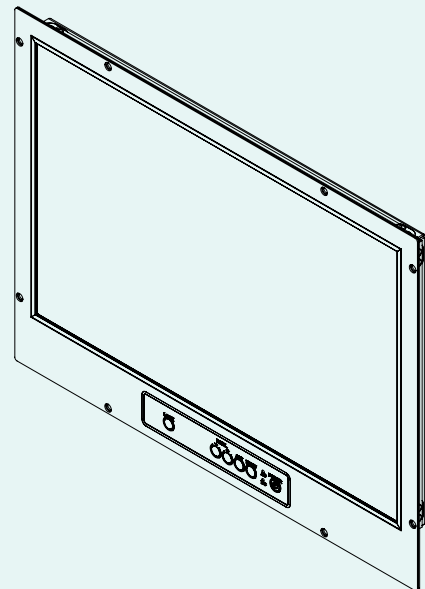
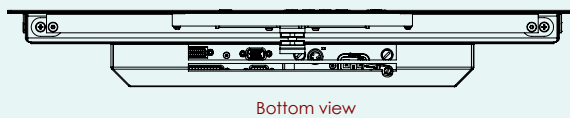
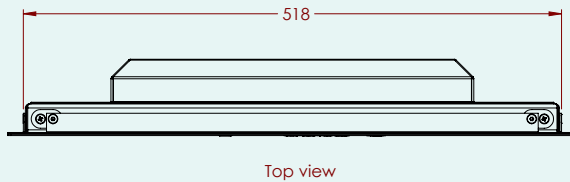
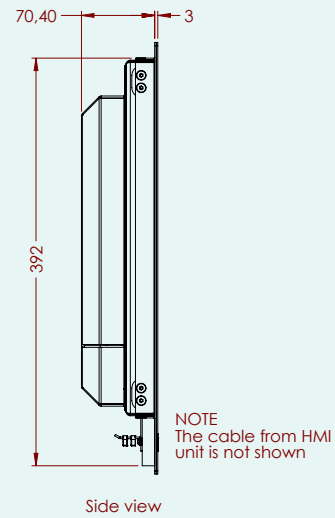
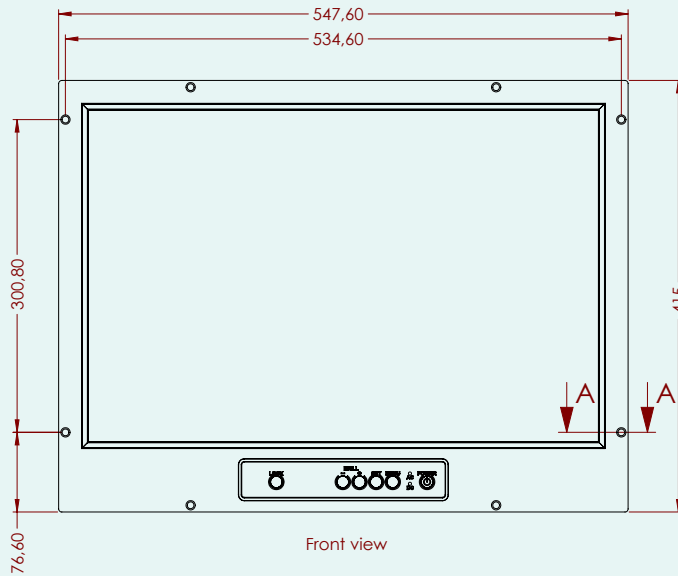




# WAVE 21,5" MONITOR

## WAVE 21,5" PANEL MOUNTED WITH INTEGRATED HMI: WA215-01.MON.01-4001

Note: All dimensions are in mm. Outer dimensions are flexible.



Recommended screw  
Contersunk flat head screw  
ISO 7046 M4 X L

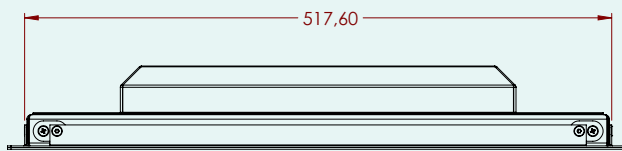
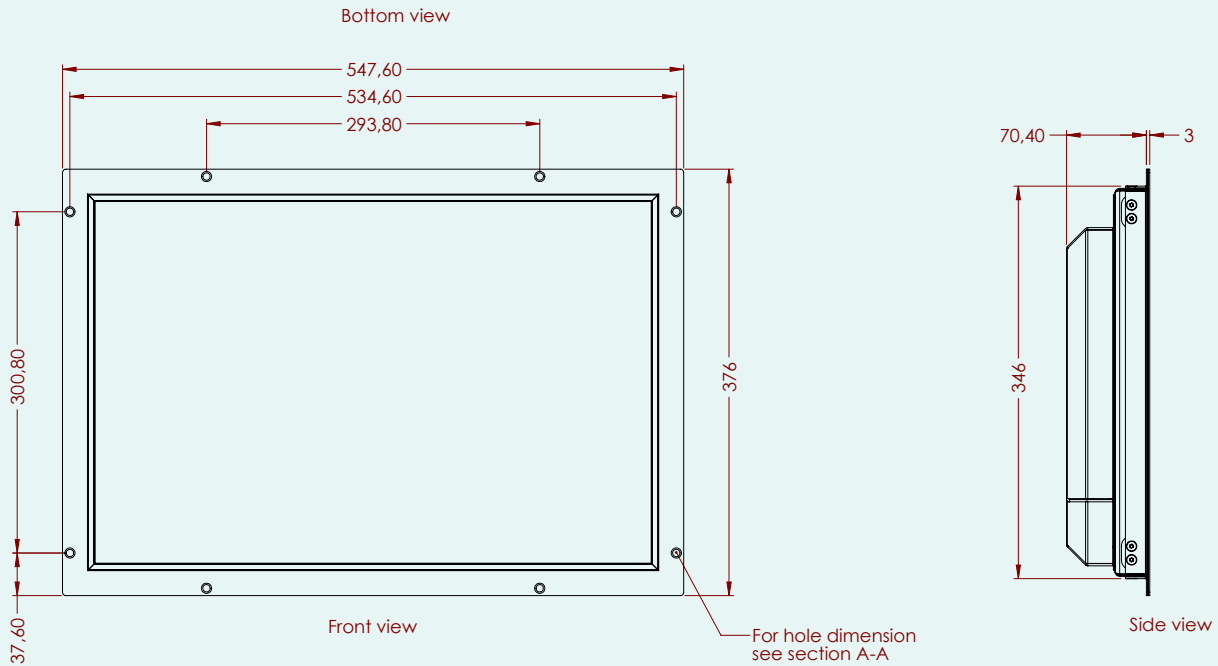
### SECTION A-A



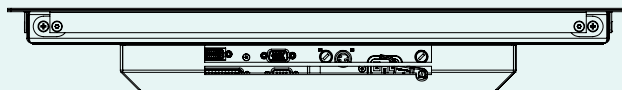
# WAVE 21,5" MONITOR

WAVE 21,5" PANEL MOUNTED WITHOUT INTEGRATED HMI: WA215-01.MON.01-5001

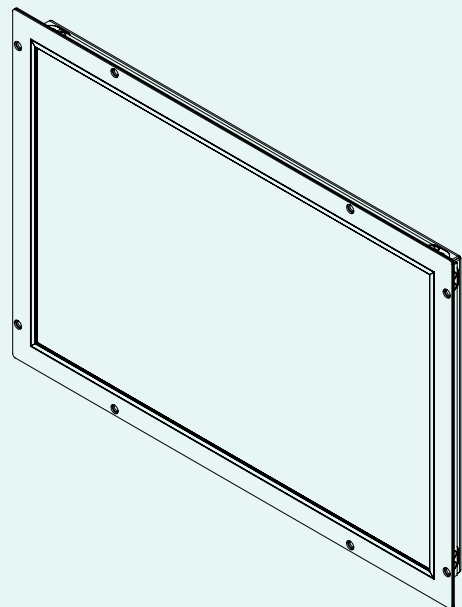
Note: All dimensions are in mm. Outer dimensions are flexible.



Top view



Bottom view

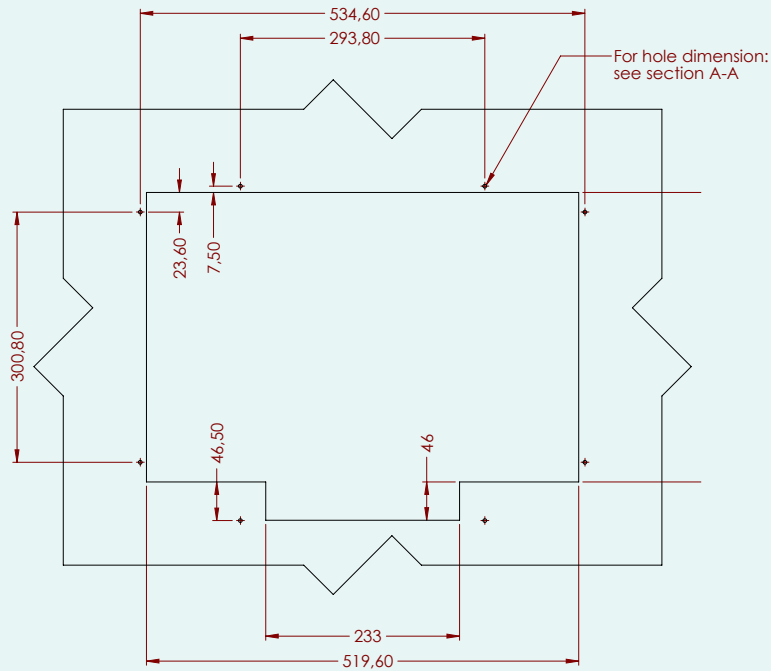




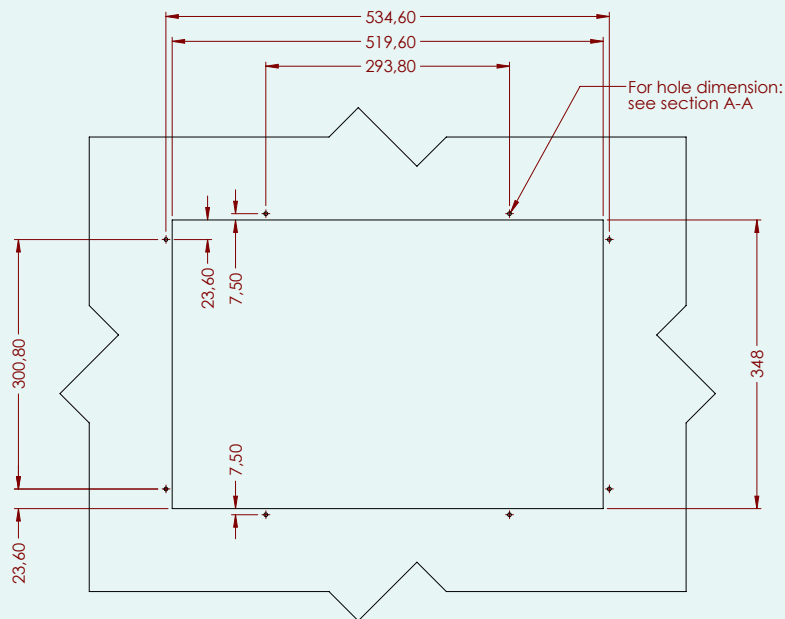
# WAVE 21,5" MONITOR

## WAVE 21,5" PANEL CUT OUT FOR PANEL MOUNTING KITS

Note: All dimensions are in mm.



Panel cut out with HMI module



Panel cut out without HMI module

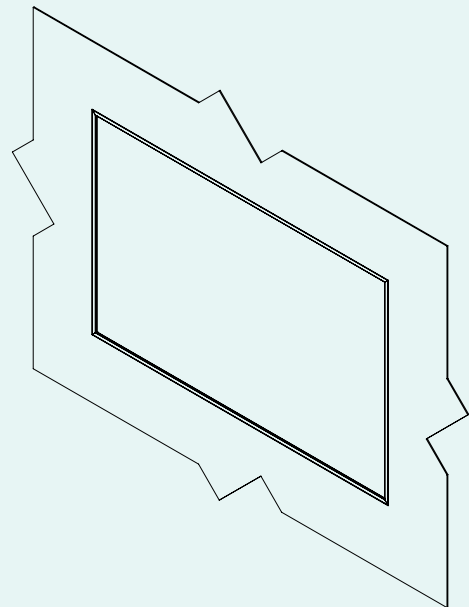
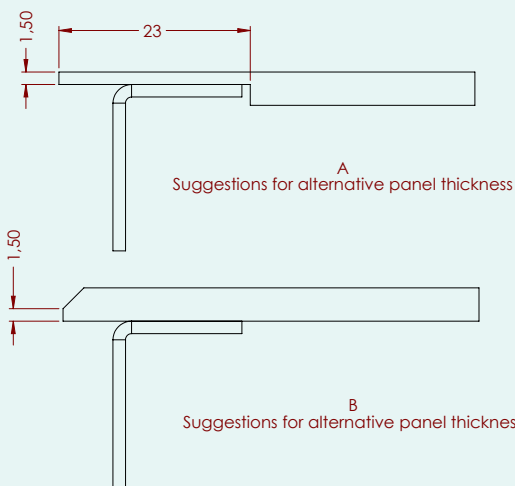
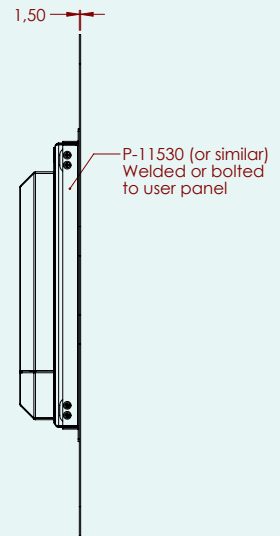
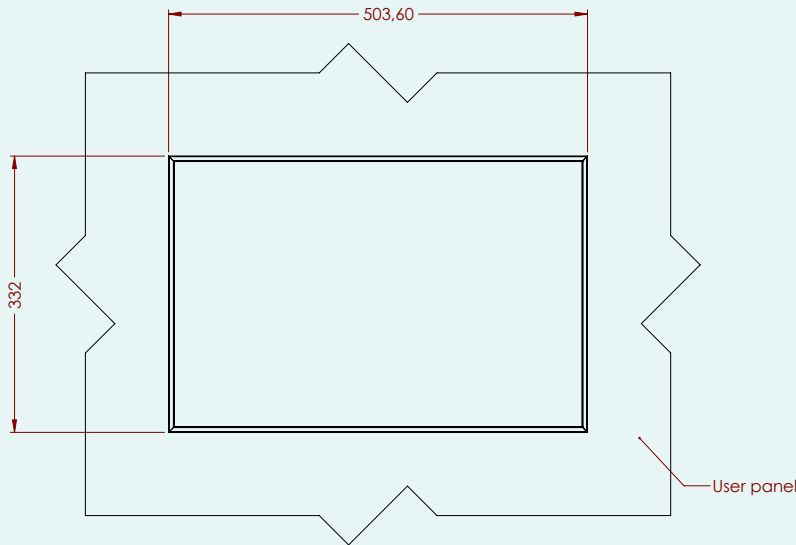
WA215-DS-REV3.0-01.2015



# WAVE 21,5" MONITOR

## WAVE 21,5" PANEL CUT OUT FOR FLUSH MOUNTING FROM BACKSIDE

Note: All dimensions are in mm.



WA215-DS-REV3.0-01.2015

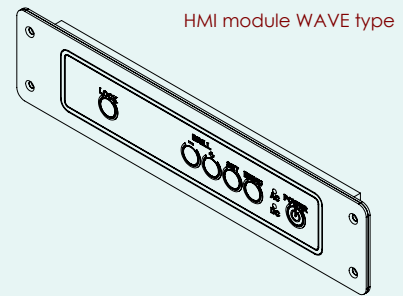
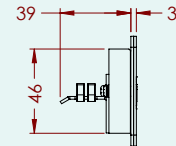
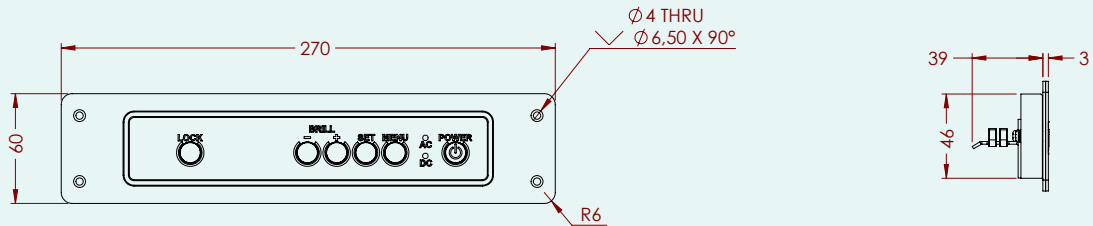




# WAVE 21,5" MONITOR

## WAVE 21,5" HMI STAND ALONE CUT OUT: WA-01.HMI.02.0001

Note: All dimensions are in mm.



Only for use with panel mounted monitor

