



WAVE 27" MONITOR

The Wave Monitors are a series of well-designed, rugged LED displays. Our monitors are built following a modular approach, making them suitable for OEM as well as Private Label versions.

Our displays can be flush mounted with a panel mounting kit or standing with hinge mounted to table. It can even be mounted with hinge hanging from the roof (no HMI). Sunshade and Vesa adaptor are also available.

All our monitors are provided with AC/DC inputs and can even be used as a part of a UPS system. For improved performance and reliability backlight is based on LED technology.



TECHNICAL SPECIFICATIONS 27" WAVE MONITOR

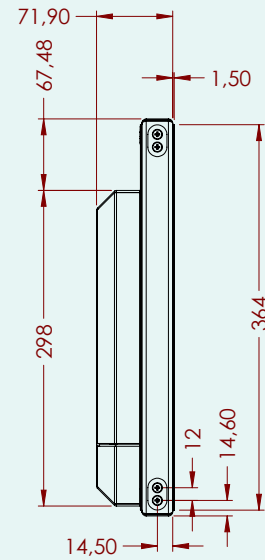
MATCHING STANDARDS	IEC 60945, IEC 61174 (ECDIS), IEC 60936 (RADAR), IEC 62.288, IEC 62.388, IEC 60529 (IP), IACS E10. Designed to comply with MIL-STD-810F & MIL-STD-901D. Reports available on request.
DISPLAY SIZE	27.0" - 685.7 mm, active area 597.6 (Hor) x 336.2 (V) mm
OVERALL DIMENSIONS	632 (W) x 375 (H) x 73.4 (D) mm - console mounting (ex mounting kit) 632 (W) x 410 (H) x 73.4 (D) mm - with Hinge (ex HMI)
NET/GROSS WEIGHT	10.7 Kg (monitor with hinge and HMI)
RESOLUTION	Max 1920 x 1080 pixels (Full HD)
SYNCHRONISATION	Separate/Composite, 15-100 kHz (H), 30-65 Hz (V)
RESPONSE TIME	12 ms
CONTRAST RATIO	3000:1 (typ)
DOT PITCH	0,31125 (H) x 0,31125 (V) mm
LIGHT INTENSITY	300 cd/m ² (typ)
NUMBERS OF COLOURS	16.7 Millions depending on graphics card
VIEWING ANGLE	±89°
CONTROLS KNOBS	Lock, +, -, (Brilliance), Set, Menu and Power
INDICATORS	Power indicator, AC or DC
DC VOLTAGE OUT	12 VDC, 30W, connector KPXJ-3S, matching male connector KPPX-3P
SUPPLY VOLTAGE	90-264 VAC, 24 VDC -20/+30%
POWER CONSUMPTION	App.45 W (AC) / 45 W (DC)
COLOURS	Front & back: RAL 9005 structure. Stand RAL 9005 structure.
ENCLOSURE PROTECTION	IP 42
GLASS TYPE	Conturan® or Glacier AR antiglare coated
CONTROL INPUT	RS 232 D-SUB 9 pin female
OPERATING/STORAGE TEMP.	-15/+55° C. +5/131° F (IEC 60945) / -20/+60° C. -4/140° F
INPUT	DVI-I (Analogue and Digital), VGA, Composite video, S-Video, AC power IEC Inlet & DC screw terminal
BACKLIGHT LIFE	Typ. 50.000 hours
DIMMING RANGE	0-100%



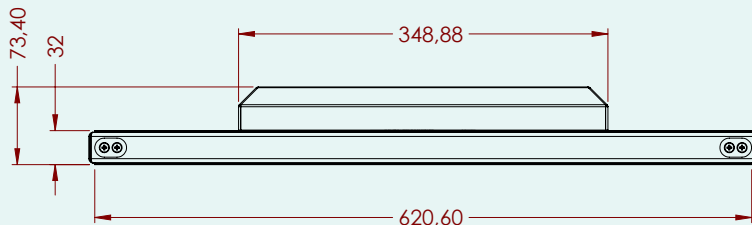
WAVE 27" MONITOR

WAVE 27" FLUSH MOUNTED: WA27001MON010001

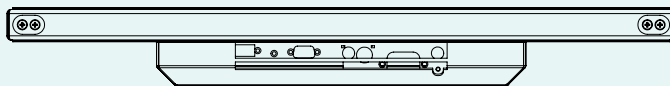
Note: All dimensions are in mm.



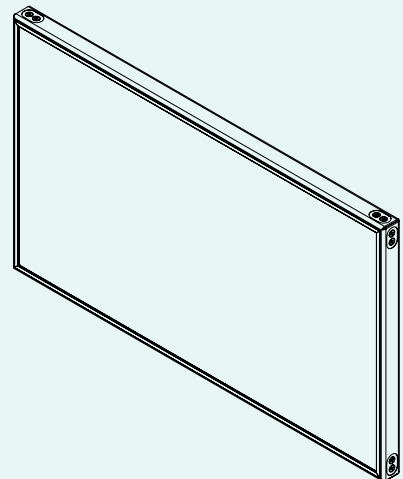
Side view



Top view



Bottom view

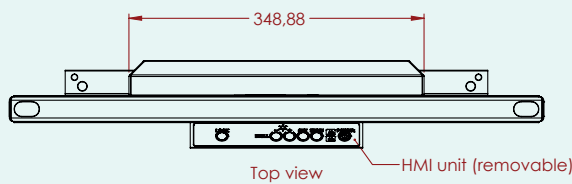
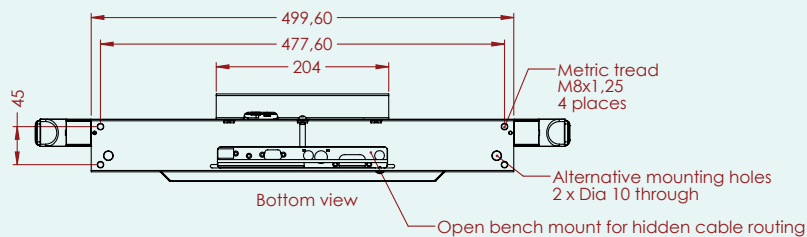
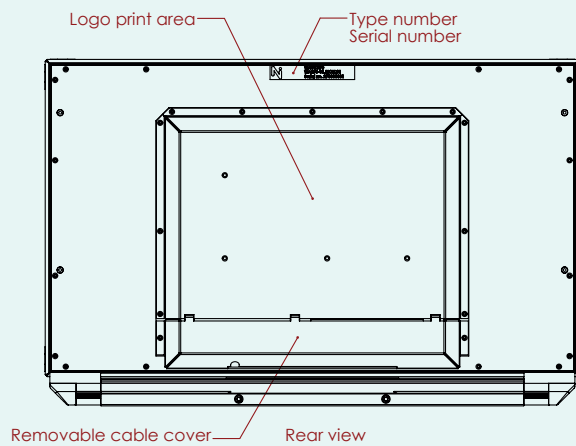
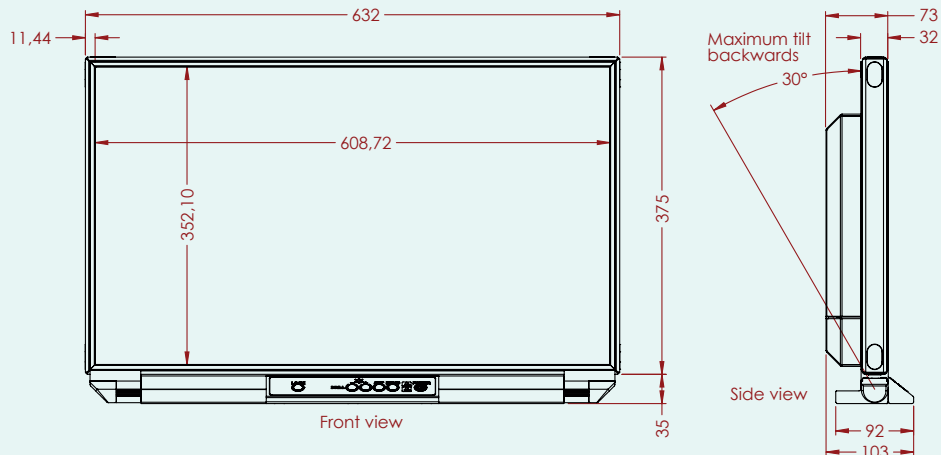




WAVE 27" MONITOR

WAVE 27" WITH HINGE: WA27001MON011001 (NO HMI) OR WA27001MON012001 (WITH HMI)

Note: All dimensions are in mm.

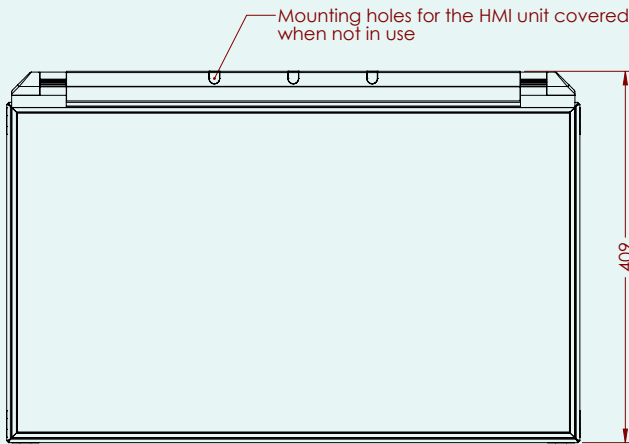




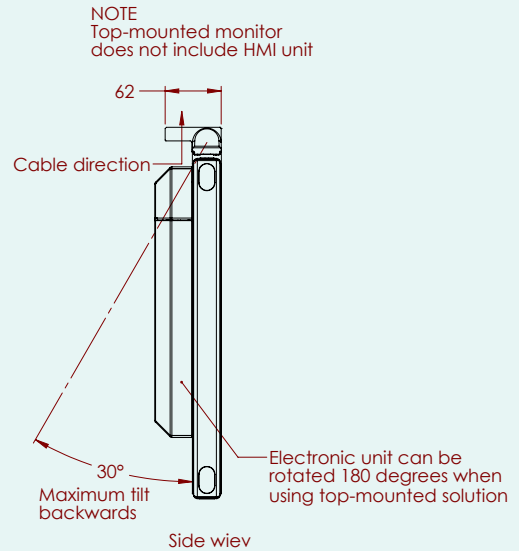
WAVE 27" MONITOR

WAVE 27" WITH TOP MOUNTED HINGE: WA27001MON013001

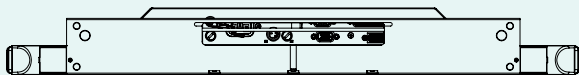
Note: All dimensions are in mm.



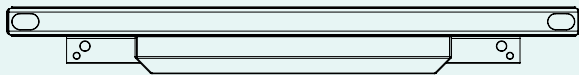
Front view



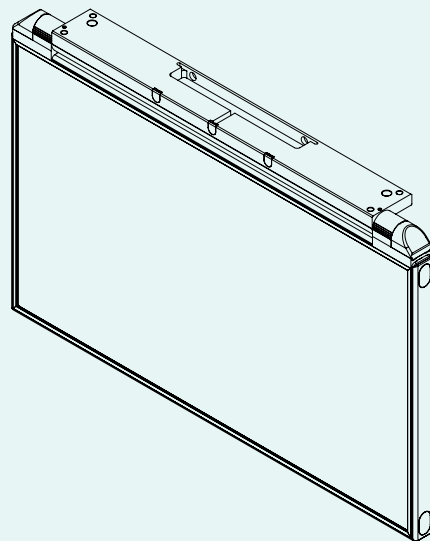
Side view



Top view



Bottom view

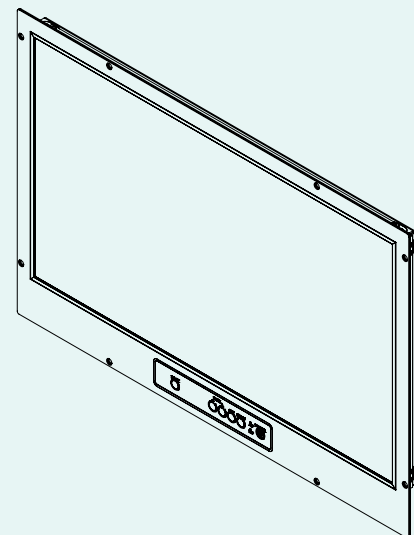
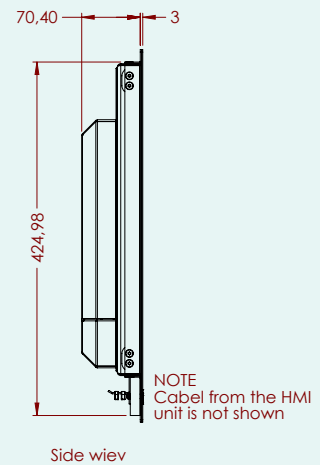
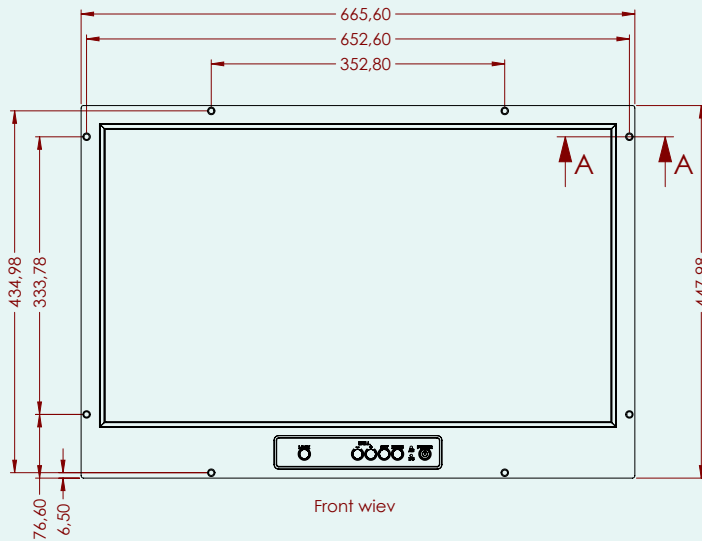




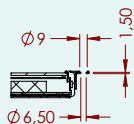
WAVE 27" MONITOR

WAVE 27" PANEL MOUNTED WITH INTEGRATED HMI: WA27001MON014001

Note: All dimensions are in mm. Outer dimensions are flexible.



Mounting hole



Recommended screw
Conter sunk flat head screw
ISO 7046 M4 X L

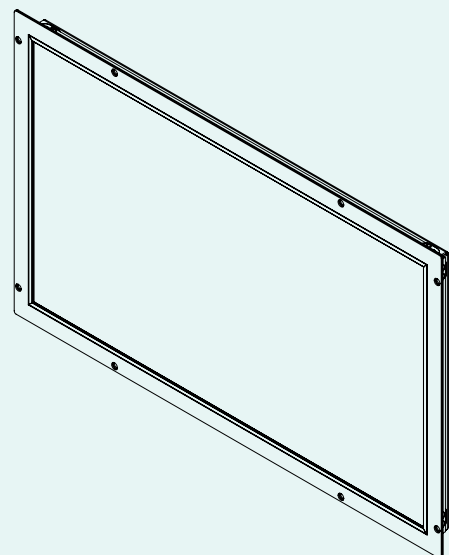
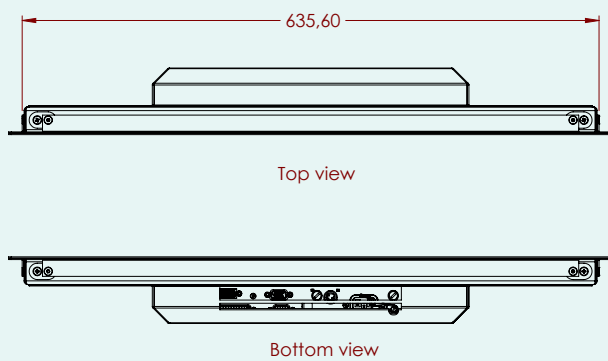
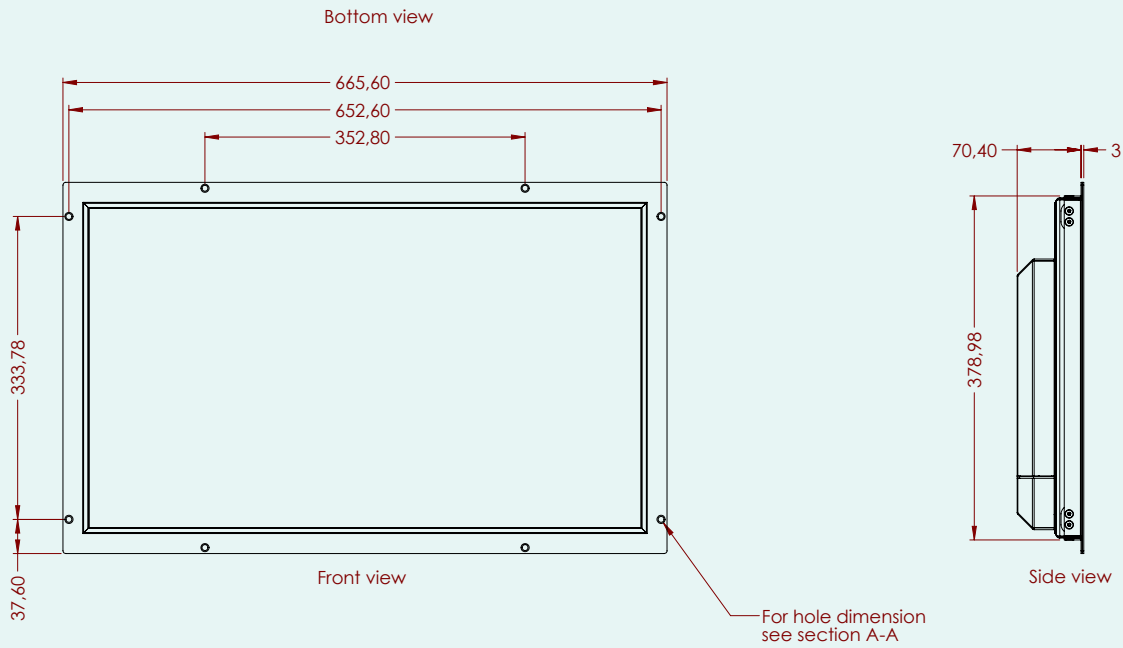
SECTION A-A



WAVE 27" MONITOR

WAVE 27" PANEL MOUNTED WITHOUT INTEGRATED HMI: WA27001MON015001

Note: All dimensions are in mm. Outer dimensions are flexible.

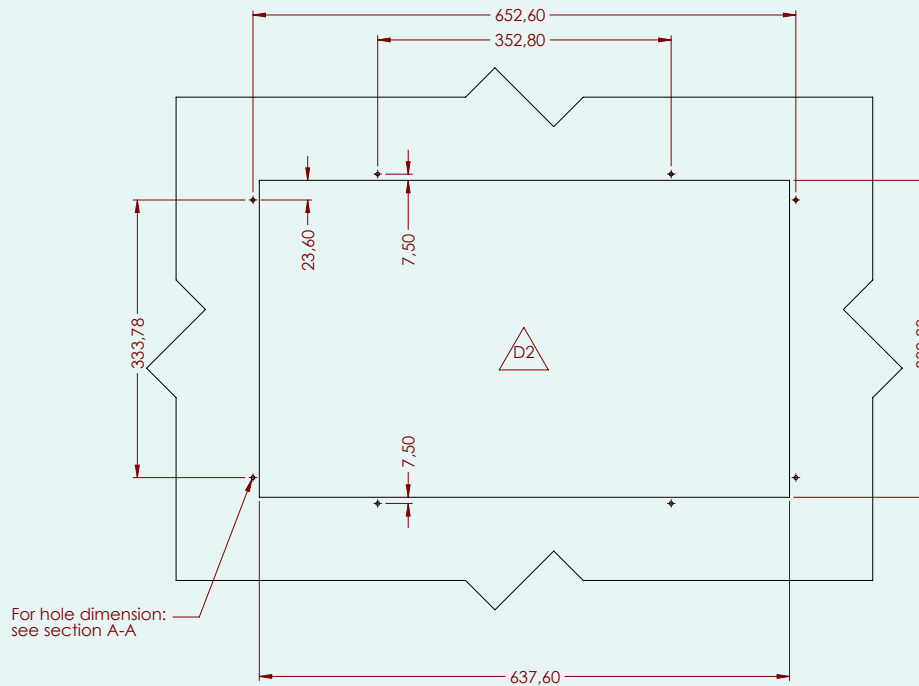
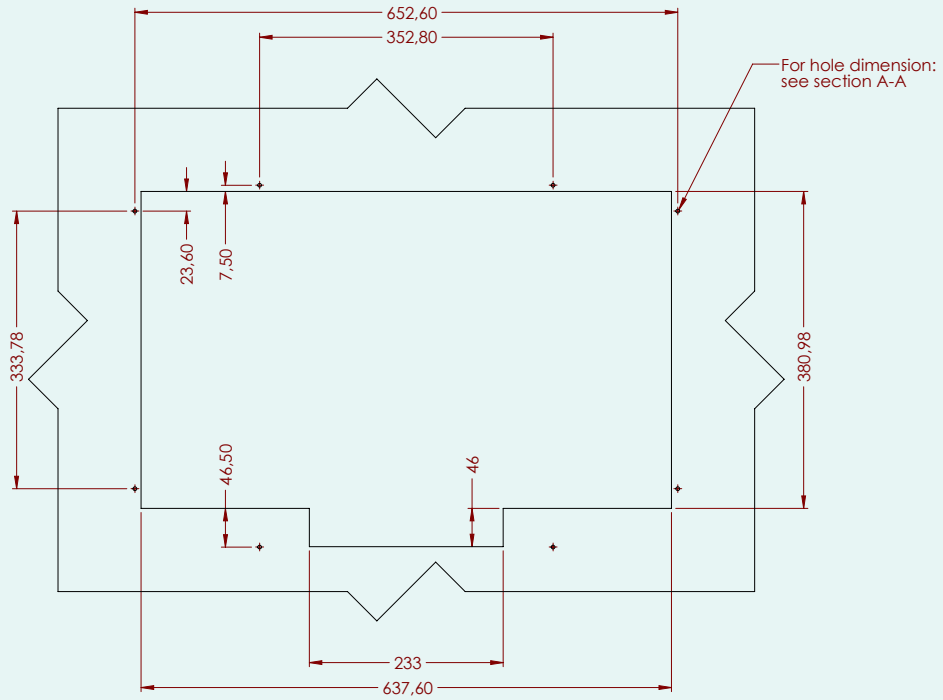




WAVE 27" MONITOR

WAVE 27" PANEL CUT OUT FOR PANEL MOUNTING KITS

Note: All dimensions are in mm.

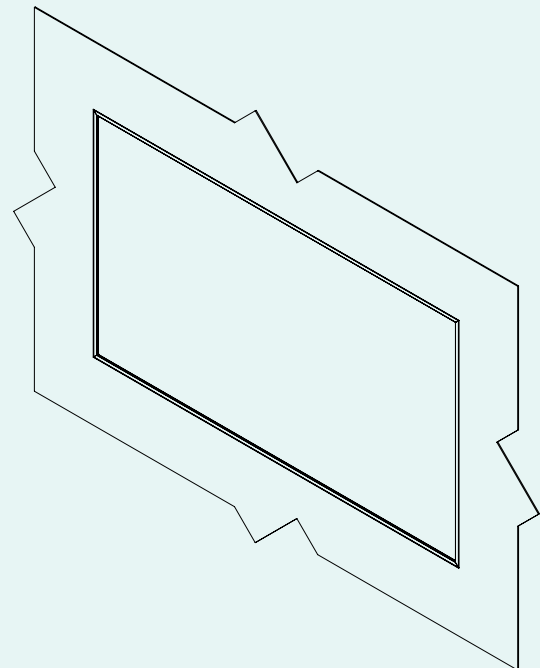
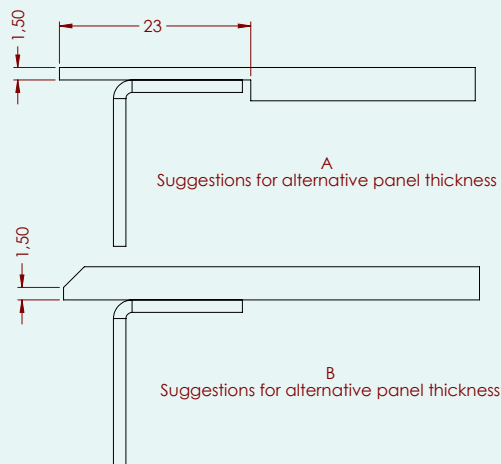
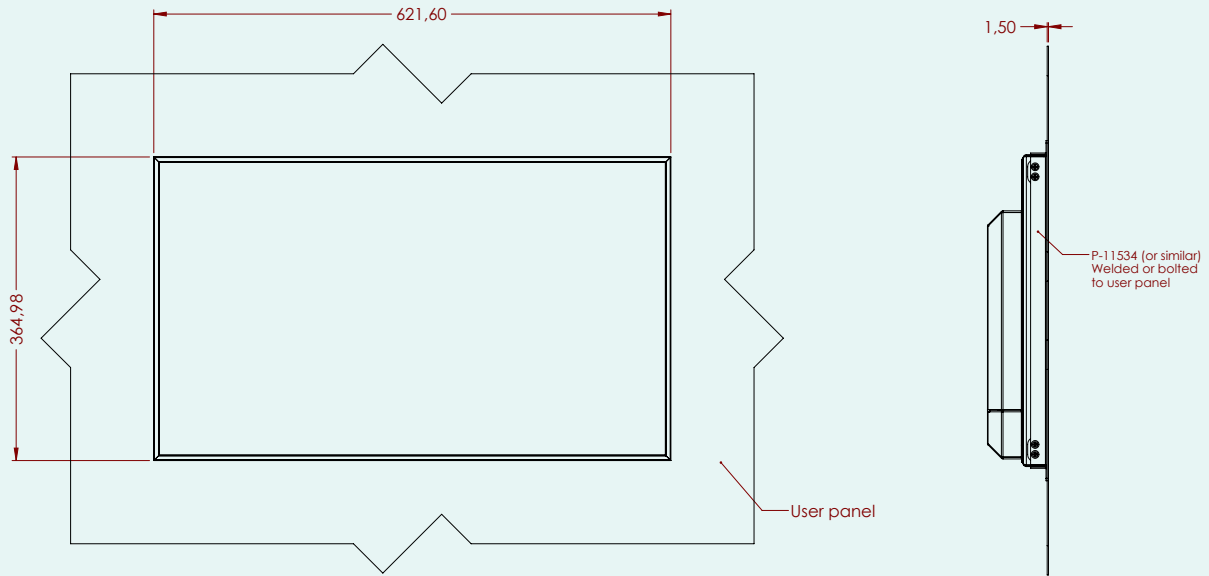




WAVE 27" MONITOR

WAVE 27" PANEL CUT OUT FOR FLUSH MOUNTING FROM BACKSIDE

Note: All dimensions are in mm.

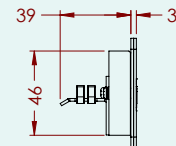
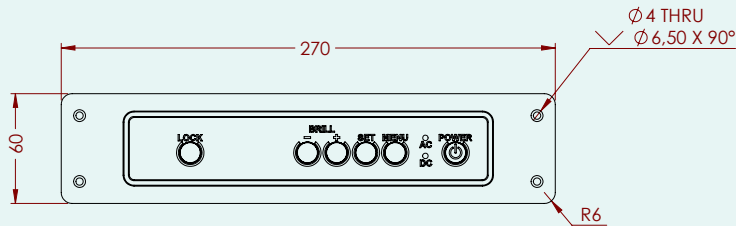




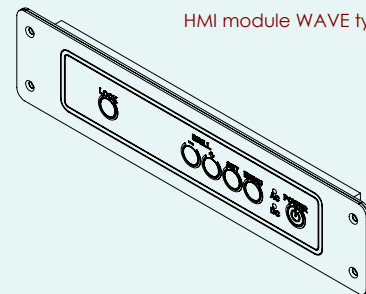
WAVE 27" MONITOR

WAVE 27" HMI STAND ALONE CUT OUT: WA01HMIO20001

Note: All dimensions are in mm.



HMI module WAVE type



Only for use with panel mounted monitor

