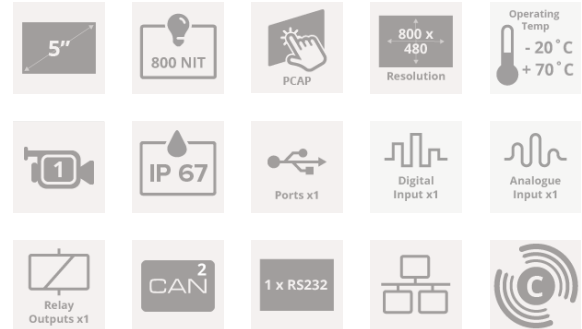


T5 CAN Display

5" Colour LCD - T Series



Technical Data



Introduction

The T5, formerly the CANvu 500, has a slim-line profile housing a hi-resolution 5-inch projected capacitive touch customisable colour screen delivering modern tablet like aesthetics. A Freescale i.MX 6 processor and dedicated graphics processor offer high performance graphics and video capabilities.

The WVGA (800x480) PCAP LCD colour display can be viewed in full sunlight and the ruggedised unit is sealed to meet IP 67 standards. With dual CAN, Ethernet and Video supported the display is suited to a wide range of applications. External buttons can be added via a compatible CAN keypad.

It meets the need for tough, flexible instrumentation while offering high performance and design specifications. Custom software applications to be rapidly created using the software development kit (SDK), and the display can be integrated into a control & monitoring system using its data logging capacity, and alarm functionality.

Key Features

- 2 x CANbus & 1 x RS232 Connection
- 1 x Analogue, 1 x Digital Input
- 1 x Relay Output
- Data Logger & Control Functions
- Telematics Supported
- 1 x Ethernet & 1 x Video Connection
- J1939/NMEA 2000/Tier 4 Compatible
- IP67 All Round Protection

Reliability

Our products continue to be successfully deployed in an enormously diverse range of applications where total reliability is vital.

All products, bespoke or standard range are backed up by a dedicated central team of specialist engineers able to rapidly adapt any product for a specific application and to provide an unrivalled level of customer support.

Displays are also supported with a return to base extended 24-month Manufacture warranty against mechanical failure or material defects.

Software

Our SDK is offered for a one-off licence fee from which customers can develop their own bespoke application solution. Available are optional plugins for CANopen, J1939, NMEA 2000, and support hours are included should your engineers need any help along the way.

Alternatively, we can develop bespoke software to your specification using our experienced in house engineers.

Over the years our engineers have developed software for our displays to run rock crushers & mining machinery, measure performance of spraying equipment, acting as battery monitors, boat gyro stabilisers, plus many more including military and aerospace applications.

Also available is our Engine Monitor standard software for Industrial and Marine, which can be pre-loaded to our displays receiving and displaying J1939 engine and transmission data, including common Tier4 parameters, with active alarms (from DM1) & NMEA 2000 data, where supported.

Accessories

- Cable Harnesses
- Protective Sun Covers
- Mounting Kits
- Branding - Labels & Boxes

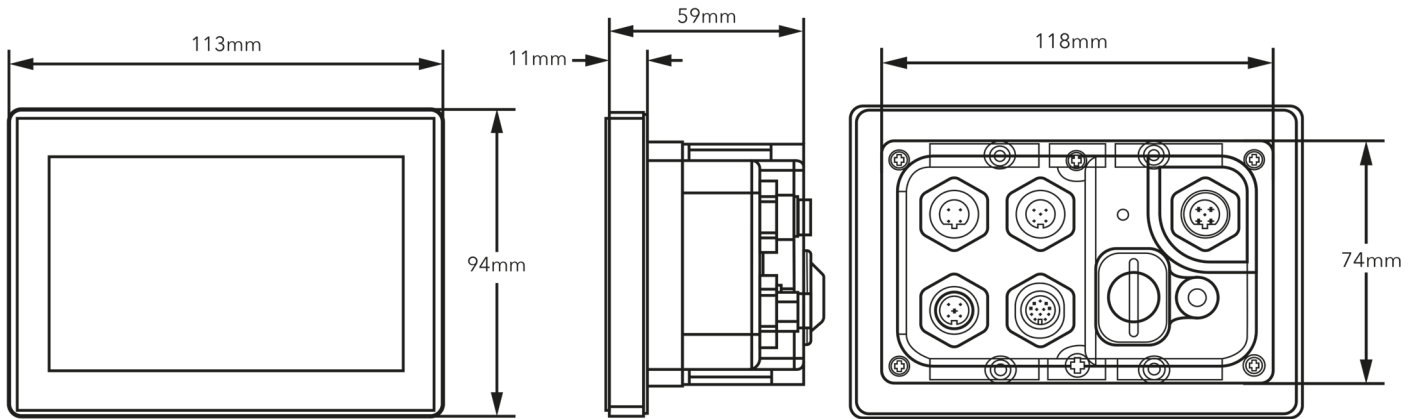
Specifications

Hardware	
CPU	Freescle i.MX 6 24Mhz and additional Graphics Processor
Flash Memory	256 MB
SDRAM	256 MB NAND
Electrical	
Display	PCAP LCD 5.0"
Resolution	800 (H) x 480 (V) WVGA
Active Area	108.0mm (H) x 64.8mm (V)
Viewing Angle	70 degrees left/right/down/up
Contrast Ratio	700:1
Brightness	1000 NIT (cd/m2) Full sunlight readable
Power Requirements	8V to 32V DC
Sounder	Internal Buzzer
Connection	5 x M12 Connectors
Communications	1 x RS232, 2 x CAN Bus 2.0B (1 isolated)
	1 x USB 2.0, 1 x Ethernet
Analogue Input	Software Selectable As 0 - 2.5 VDC, 0 - 10 VDC or 0 - 1000 OHMS
Switch Inputs	Switch contact to ground or open collector type sensor - max. frequency = 50Hz
Relay Output	Open collector suitable for 0.5A continuous load
Environmental	
Operating Temperature	-20 to +70 Degrees Celsius
Storage Temperature	-40 to +80 Degrees Celsius
Degree of Protection	IP67
Mechanical	
Case Material	ABS
Case Colour	Anthracite Grey
Dimensions	133mm (W) x 94mm (H) x 11mm forward and 48mm rear (D)
Part Number	
5000	T5 5" CAN Display
5001	T5 5" CAN Display with Engine Monitor Software Preloaded

T5 CAN Display

5" Colour LCD - T Series

Dimensions



Connectors

CAN 1		External USB / IO	Ethernet		
1	No Connection		1	USB Volts Positive	1
2	Positive DC Supply	2	USB Data Negative (DM)	2	White/Green +RX
3	Ground	3	USB Data Positive (DP)	3	Orange -TX
4	CAN Data H	4	No Connection	4	Green
5	CAN Data L	5	USB Volts Negative		
CAN 2		6	RS422/485 Tx+*	Video	
1	No Connection	7	RS422/485 Tx-*	1	Camera 1
2	Isolated Volts Positive	8	RS422/485 Rx+*	2	Camera 2
3	Isolated Volts Negative	9	RS422/485 Rx-*	3	Camera 3
4	Isolated CAN Data H	10	Digital Input	4	Camera 4
5	Isolated CAN Data L	11	Analogue Input	5	Ground
		12	Relay Output		

*RS422 & RS485 options configured as a build option