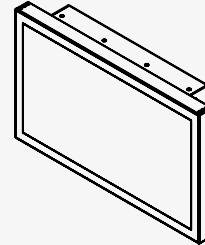


# WAVE II, 18.5" MONITOR

The Wave II Monitors are a series of well-designed, rugged LED displays with full glass front and PCAP multitouch option.

The minimized outer measurements and modular design offer unprecedented configuration and mounting flexibility. Our unique hinge design ensures that table-top or ceiling mounting is equally easy and visually appealing as flush mounting the glass front into a cut-out.

All our monitors are provided with either AC, DC or AC/DC Multipower, whereas our proprietary controllerboard offer extended functionality and connectivity options.



## TECHNICAL SPECIFICATIONS WE185 000 108

### MATCHING STANDARDS

IEC 60945, IEC 60529 (IP), IACS E10, EMC Directive-2014/30/EU, RoHS, REACH

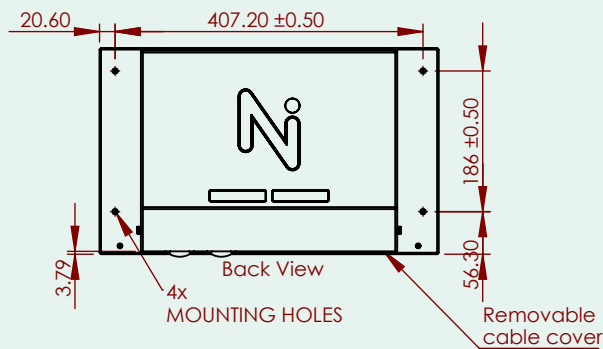
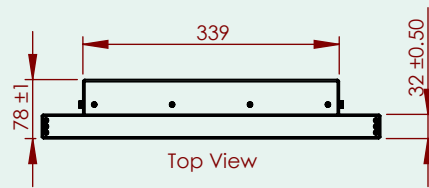
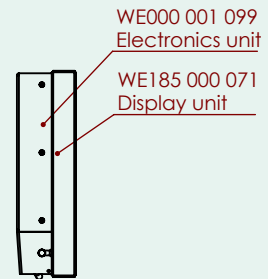
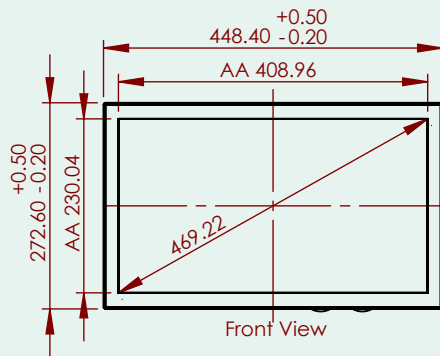
|                                 |  |
|---------------------------------|--|
| DISPLAY SIZE                    | 18,5" - 469.9 mm, Active area 408.96 (W) X 230.04 (H) mm   |
| OVERALL DIMENSIONS              | 448.4 (W) x 272.6 (H) x 78 (D) mm  |
| NET / GROSS WEIGHT              | 6.4 / 9.5 kg   |
| RESOLUTION                      | Max 1920 x 1080 pixels (Full HD)   |
| RESPONSE TIME                   | 20 ms  |
| CONTRAST RATIO                  | 1000:1 (typ)   |
| DOT PITCH                       | 0.213 (H) x 0.213 (V) mm   |
| LIGHT INTENSITY                 | 350 cd/m2 (typ)  |
| NUMBERS OF COLOURS              | 16,7 Millions depending on graphics card   |
| VIEWING ANGLE                   | ±89°   |
| CONTROL KNOBS                   | NO (Controllable by standard mouse interface)  |
| SUPPLY VOLTAGE                  | 90-264 VAC (IEC Inlet)   |
| POWER CONSUMPTION               | Approx. 24.5W  |
| COLOUR                          | RAL 9005 Fine Structure  |
| ENCLOSURE PROTECTION            | IP 42 (From Front)   |
| GLASS TYPE                      | 3mm Tempered, Anti Reflective Conturan®  |
| INPUT/ CONTROL INPUT            | DVI-I (Analogue and Digital), Display port, DDC/CI (DVI & DP), 2 x USB 2.0, Micro SD, Ethernet, HMI (15p D-Sub), RS 232 (9p D-Sub) |
| OPERATING / STORAGE TEMPERATURE | TBA  |
| BACKLIGHT LIFE                  | Typ 50.000 Hours   |
| DIMMING RANGE                   | 0-100%   |
| INCLUDED ACCESSORIES            | NO   |
| TOUCH                           | NO   |
| ADDITIONAL FEATURE              | Onboard iMX6 CPU   |

2018101001 2019.01.18-B1-Packing Information Added



# WAVE II, 18.5" MONITOR

## TECHNICAL SPECIFICATIONS WE185 000 108



2018021702 2019.01.18-B1-Packing Information Added

