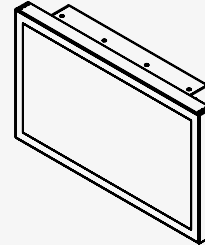


WAVE II, 18.5" MONITOR

The Wave II Monitors are a series of well-designed, rugged LED displays with full glass front and PCAP multitouch option.

The minimized outer measurements and modular design offer unprecedented configuration and mounting flexibility. Our unique hinge design ensures that table-top or ceiling mounting is equally easy and visually appealing as flush mounting the glass front into a cut-out.

All our monitors are provided with either AC, DC or AC/DC Multipower, whereas our proprietary controllerboard offer extended functionality and connectivity options.



TECHNICAL SPECIFICATIONS WE185 000 107

MATCHING STANDARDS

IEC 60945, IEC 60529 (IP), IACS E10, EMC Directive-2014/30/EU, RoHS, REACH

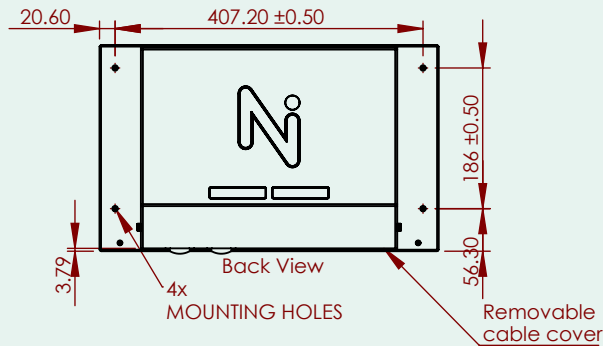
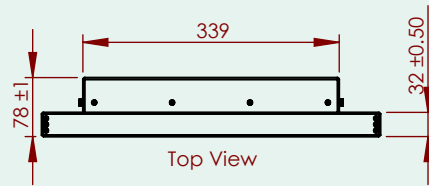
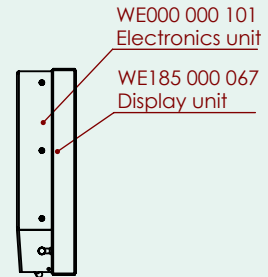
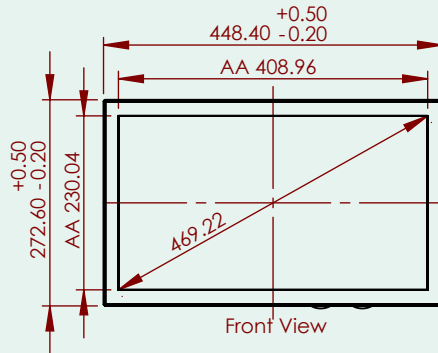
DISPLAY SIZE	18,5" - 469.9 mm, Active area 408.96 (W) X 230.04 (H) mm
OVERALL DIMENSIONS	448.4 (W) x 272.6 (H) x 78 (D) mm
NET / GROSS WEIGHT	6.4 / 9.5 kg
RESOLUTION	Max 1920 x 1080 pixels (Full HD)
RESPONSE TIME	20 ms
CONTRAST RATIO	1000:1 (typ)
DOT PITCH	0.213 (H) x 0.213 (V) mm
LIGHT INTENSITY	350 cd/m2 (typ)
NUMBERS OF COLOURS	16,7 Millions depending on graphics card
VIEWING ANGLE	±89°
CONTROL KNOBS	NO (Controllable by standard mouse interface)
SUPPLY VOLTAGE	90-264 VAC (IEC Inlet)
POWER CONSUMPTION	Approx. 34.5W
COLOUR	RAL 9005 Fine Structure
ENCLOSURE PROTECTION	IP 42 (From Front)
GLASS TYPE	3.7mm Tempered, Anti Reflective Conturan®
INPUT/ CONTROL INPUT	DVI-I (Analogue and Digital), Display port, DDC/CI (DVI & DP), RS 422/485, 2 x USB 2.0, Micro SD, USB Type B (Touch Only), 2 x Ethernet, HMI (15p D-Sub), RS 232 (9p D-Sub)
OPERATING / STORAGE TEMPERATURE	TBA
BACKLIGHT LIFE	Typ 50.000 Hours
DIMMING RANGE	0-100%
INCLUDED ACCESSORIES	NO
TOUCH	10 Point PCAP Multitouch
ADDITIONAL FEATURE	Onboard iMX6 CPU

2018101001 2019.01.18-B1-Packing Information Added



WAVE II, 18.5" MONITOR

TECHNICAL SPECIFICATIONS WE185 000 107



2018021702 2019.01.18-B1-Packing Information Added

