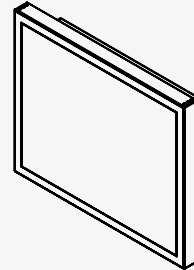


# WAVE PERFORMANCE

The Wave PERFORMANCE Box is a state-of-the-art computer concept, derived from the interchangeable Electronics Unit of the already type approved Wave II monitors.

In addition to being a stand-alone box computer, the PERFORMANCE Box can be added on the back of a standard Wave II monitor to make up a Panel- PC (PPC); constituting the Wave PERFORMANCE Monitor. Extensive versatility allows for tailoring your optimal connections, SSDs, Memory and special features.

Designed for 10 years of manufacturing, the Wave PERFORMANCE Monitors are boasting powerful 8th Generation Intel® Core™ Processors. All Wave PERFORMANCE Boxes will remain fanless with low power consumption.



## TECHNICAL SPECIFICATIONS Wave PERFORMANCE 19" TOUCH

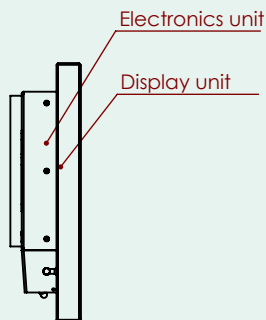
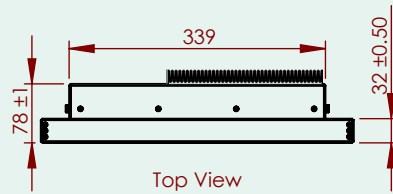
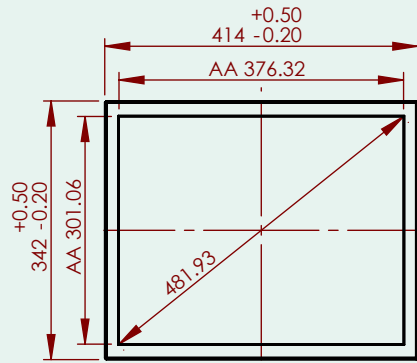
### MATCHING STANDARDS

IEC 60945, IACS E10, EMC Directive-2014/30/EU, RoHS, REACH  
Compliant to a selection of MIL standards

<b>DISPLAY SIZE</b>	19.0" - 482.6 mm, Active area 376.32 (W) X 301.06 (H) mm
<b>OVERALL DIMENSIONS</b>	414 (W) x 342 (H) x 78 (D) mm
<b>NET / GROSS WEIGHT</b>	6.9 / 9.9 kg
<b>RESOLUTION</b>	Max 1280 x 1024 pixels
<b>RESPONSE TIME</b>	20 ms
<b>CONTRAST RATIO</b>	2000:1 (typ)
<b>CPU</b>	Intel® Celeron 4305UE, Core i3-8145UE, i5-8365UE, i7-8665UE
<b>LIGHT INTENSITY</b>	350 cd/m2 (typ)
<b>GRAPHICS</b>	Intel® UHD Graphics 620
<b>VIEWING ANGLE</b>	±89°
<b>SSD</b>	3 x M2 slot + SATA, configurable size 120 GB-2TB. Std configuration: 120 GB
<b>SUPPLY VOLTAGE</b>	90-264 VAC (IEC Inlet) (18-36 VDC or AC / DC Multipower optional).
<b>POWER CONSUMPTION</b>	Approx. 48W
<b>RAM</b>	DDR4 2400, configurable size. Standard configuration: 8 GB
<b>ENCLOSURE PROTECTION</b>	IP 67 from front given correct mounting and sealing.
<b>GLASS TYPE</b>	3mm Tempered, Anti Reflective Conturan®
<b>INPUT/ OUTPUT</b>	2 x 10/100/1000 Ethernet (4 x 10/100/1000 optional), 2 x Display Port, 2 x USB 3.1, 2 x USB 2.0, 2 x RS232/RS485/422 + 2 x RS232 (D-SUB), Line in + Line out (mini Jack), HMI (15p D-Sub)
<b>OPERATING / STORAGE TEMPERATURE</b>	-15/+70° C, -15/+70° C (+5/+158° F, +5/+158° F)
<b>BACKLIGHT LIFE</b>	Typ 50.000 Hours
<b>DIMMING RANGE</b>	0-100%
<b>OS SUPPORTED</b>	Linux and Windows
<b>TOUCH</b>	10 Point PCAP Multitouch
<b>COMPASS SAFE DISTANCES</b>	Standard Compass 190 cm, Steering Compass 120 cm

# WAVE PERFORMANCE

## TECHNICAL SPECIFICATIONS Wave PERFORMANCE 19" TOUCH



# WAVE PERFORMANCE

## TECHNICAL SPECIFICATIONS Wave PERFORMANCE 19" TOUCH

Bottom View



Back View

