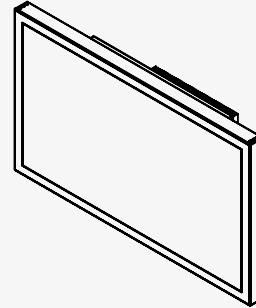


WAVE PERFORMANCE

The Wave PERFORMANCE Box is a state-of-the-art computer concept, derived from the interchangeable Electronics Unit of the already type approved Wave II monitors.

In addition to being a stand-alone box computer, the PERFORMANCE Box can be added on the back of a standard Wave II monitor to make up a Panel- PC (PPC); constituting the Wave PERFORMANCE Monitor. Extensive versatility allows for tailoring your optimal connections, SSDs, Memory and special features.

Designed for 10 years of manufacturing, the Wave PERFORMANCE Monitors are boasting powerful 8th Generation Intel® Core™ Processors. All Wave PERFORMANCE Boxes will remain fanless with low power consumption.



TECHNICAL SPECIFICATIONS Wave PERFORMANCE 24" TOUCH

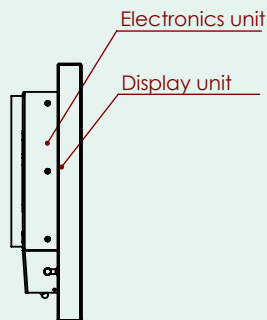
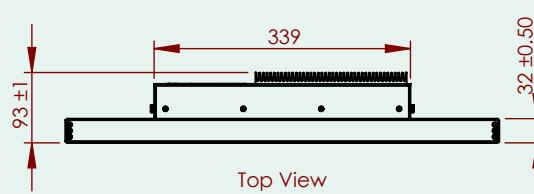
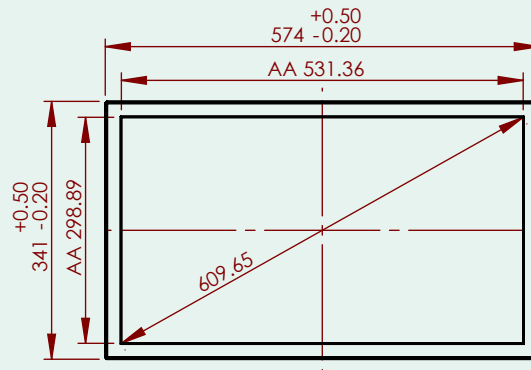
MATCHING STANDARDS (PENDING)

IEC 60945, IEC 61174 (ECDIS), IEC 62.288 (Navigation), IEC 62.388 (Radar), IACS E10, EMC Directive-2014/30/EU, RoHS, REACH
Compliant to a selection of MIL standards

DISPLAY SIZE	24.0" - 609.6 mm, Active area 531.36 (W) X 298.89 (H) mm
OVERALL DIMENSIONS	574 (W) x 341 (H) x 93 (D) mm
NET / GROSS WEIGHT	7.5 / 10.4 kg
RESOLUTION	Max 1920 x 1080 pixels (Full HD)
RESPONSE TIME	25 ms
CONTRAST RATIO	3000:1 (typ)
CPU	Intel® Celeron 4305UE, Core i3-8145UE, i5-8365UE, i7-8665UE
LIGHT INTENSITY	300 cd/m2 (typ)
GRAPHICS	Intel® UHD Graphics 620
VIEWING ANGLE	±89°
SSD	3 x M2 slot + SATA, configurable size 120 GB-2TB. Std configuration: 120 GB
SUPPLY VOLTAGE	90-264 VAC (IEC Inlet), 18-36 VDC or AC / DC Multipower optional.
POWER CONSUMPTION	Approx. 68W
RAM	DDR4 2400, configurable size. Standard configuration: 8 GB
ENCLOSURE PROTECTION	IP 67 from front given correct mounting and sealing.
GLASS TYPE	3mm Tempered, Anti Reflective Conturan®
INPUT/ CONTROL INPUT	2 x 10/100/1000 Ethernet (4 x 10/100/1000 optional), 2 x Display Port , 2 x USB 3.1 2 x USB 2.0, 2 x RS232/RS485/422 + 2 x RS232 (D-SUB), Line in + Line out (mini Jack), HMI (15pD-Sub)
OPERATING / STORAGE TEMPERATURE	-15/+70° C, -15/+70° C (+5/+158° F, +5/+158° F), Humidity up to 95 %.
BACKLIGHT LIFE	Typ 50.000 Hours
DIMMING RANGE	0-100%
OS SUPPORTED	Linux and Windows
TOUCH	10 Point PCAP Multitouch
COMPASS SAFE DISTANCES	Standard Compass 190 cm, Steering Compass 120 cm

WAVE PERFORMANCE

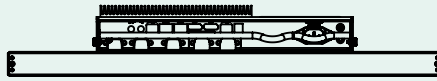
TECHNICAL SPECIFICATIONS Wave PERFORMANCE 24" TOUCH



WAVE PERFORMANCE

TECHNICAL SPECIFICATIONS Wave PERFORMANCE 24" TOUCH

Bottom View



Back View

