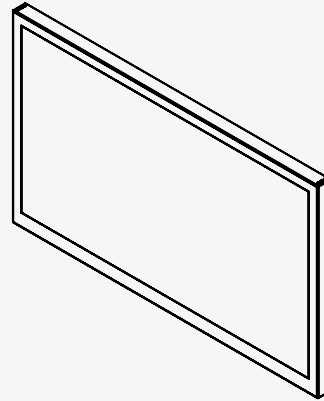


WAVE PERFORMANCE

The Wave II Monitors are a series of well-designed, rugged LED displays with full glass front and PCAP multitouch option.

The minimized outer measurements and modular design offer unprecedented configuration and mounting flexibility. Our unique hinge design ensures that table-top or ceiling mounting is equally easy and visually appealing as flush mounting the glass front into a cut-out.

All our monitors are provided with either AC, DC or AC/DC Multipower, whereas our proprietary controllerboard offer extended functionality and connectivity options.



TECHNICAL SPECIFICATIONS Wave PERFORMANCE 32" TOUCH

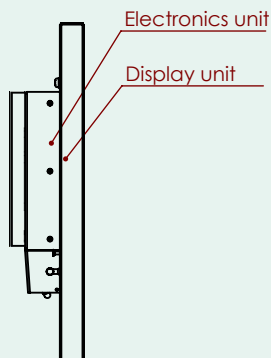
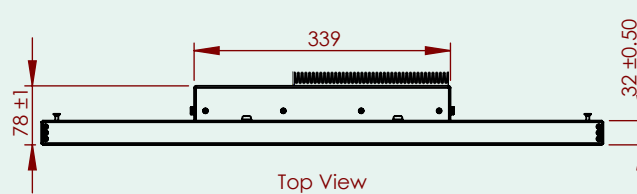
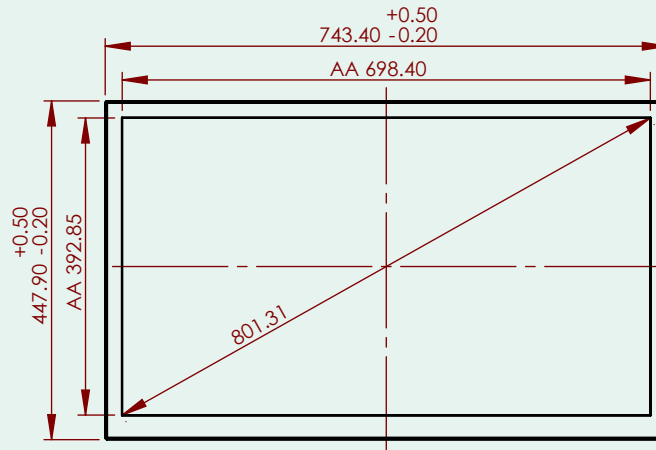
MATCHING STANDARDS

IEC 60945, IEC 61174 (ECDIS), IEC 60936 (Radar), IEC 62.288 (Navigation), IEC 62.388 (Radar), IEC 60529 (IP), IACS E10, EMC Directive-2014/30/EU, RoHS, REACH. Compliant to a selection of MIL standards.

DISPLAY SIZE	32.0" - 812.8 mm, Active area 698.40 (W) X 392.85 (H) mm
OVERALL DIMENSIONS	743.4 (W) x 447.9 (H) x 78 (D) mm
NET / GROSS WEIGHT	14.4 / 17.5 kg
RESOLUTION	Max 1920 x 1080 pixels (Full HD)
RESPONSE TIME	10 ms
CONTRAST RATIO	3000:1 (typ)
CPU	Intel® Celeron 4305UE, Core i3-8145UE, i5-8365UE, i7-8665UE
LIGHT INTENSITY	500 cd/m ² (typ)
GRAPHICS	Intel® UHD Graphics 620
VIEWING ANGLE	±89°
SSD	3 x M2 slot + SATA, configurable size 120 GB-2TB. Std configuration: 120 GB
SUPPLY VOLTAGE	90-264 VAC (IEC Inlet)
POWER CONSUMPTION	Approx. 70W
RAM	DDR4 2400, configurable size. Standard configuration: 8 GB
ENCLOSURE PROTECTION	IP 67 from front given correct mounting and sealing.
GLASS TYPE	4mm Tempered, Anti Reflective Conturan®
INPUT/ CONTROL INPUT	2 x 10/100/1000 Ethernet (4 x 10/100/1000 optional), 2 x Display Port , 4 x USB, 3.1 2 x RS232/RS485/422 + 2 x RS232 (D-SUB), Line in + Line out (mini Jack), HMI (15p D-Sub)
OPERATING / STORAGE TEMPERATURE	-15/+55° C, -15/+70° C (+5/+131° F, +5/+158° F)
BACKLIGHT LIFE	Typ 50,000 Hours
DIMMING RANGE	5-100%
OS SUPPORTED	Linux and Windows
TOUCH	10 Point PCAP Multitouch
COMPASS SAFE DISTANCES	Standard Compass 190 cm, Steering Compass 120 cm

WAVE PERFORMANCE

TECHNICAL SPECIFICATIONS Wave PERFORMANCE 32" TOUCH



WAVE PERFORMANCE

TECHNICAL SPECIFICATIONS Wave PERFORMANCE 32" TOUCH

Bottom View



Back View

