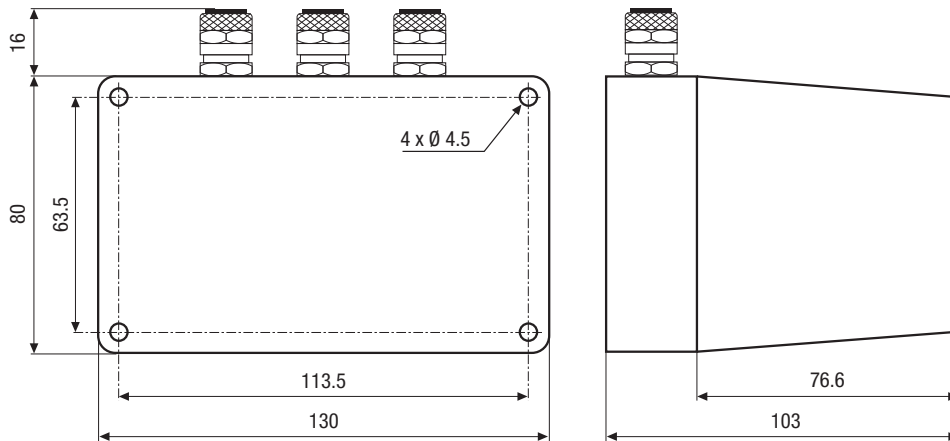




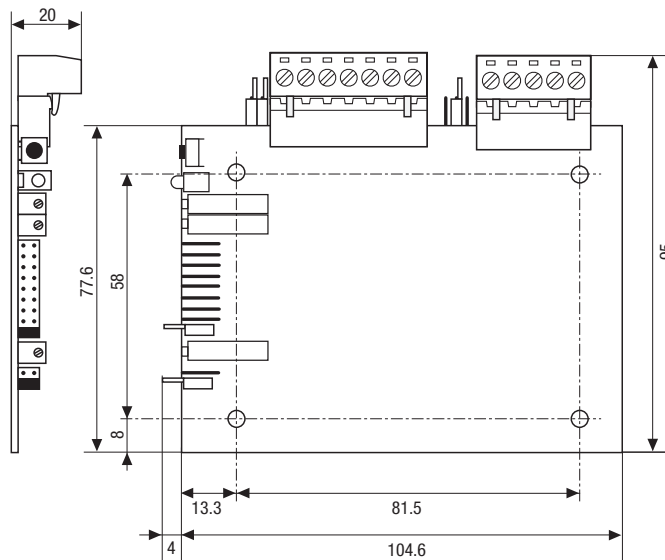
# CPJ / CPJ-2S

±10 V/0-10 V / 4-20 mA

Version Boîtier IP65 - IP65 Housing Version  
Non disponible en version CPJ2S - Not available on CPJ2S version



Version Carte CPJ - CPJ board version



Version Carte CPJ2S - CPJ2S board version

