

PCRDA101ELA



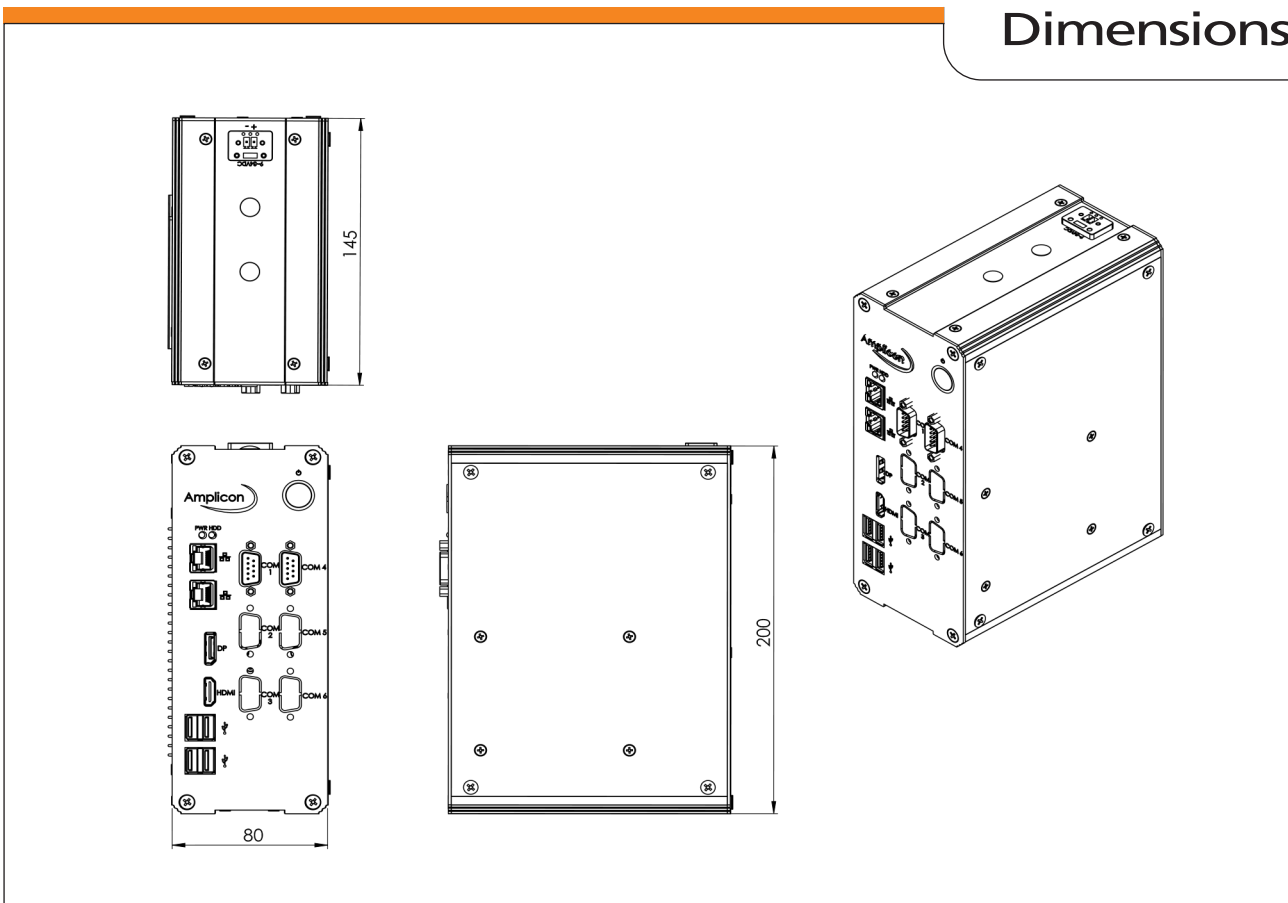
Features

The Impact-D 101EL-A is a compact, DIN Rail mountable, low power embedded system, utilising the superb Intel Atom® x6425E processing technology.

Key features:

- 3-year warranty
- 15-year life cycle
- Din Rail mount

Dimensions



PCRDA101ELA

Specifications

The information is believed to be accurate. However Amplicon Liveline Limited accepts no responsibility for any problems caused by errors and omissions. Specifications are subject to change without notice.

Hardware Specification	CPU: Intel Atom® x6425E SOC Main memory: Single DIMM 4GB SODIMM DDR4 (max: 32GB) LAN: Dual integrated 10/100/1000 TPM 2.0	Environmental Operation	Acoustic noise: Near silent operation Operating Temperature: 0°C to 60°C Humidity: 0 to 60% non-condensing
BIOS	AMI	Environmental Storage	Temperature: -40°C to 75°C Humidity : 5% to 95% RH Non-condensing
Display	1 x HDMI 2.0 up to 4096 x 2160 x 24bpp @ 60Hz 1 x DP1.4a, up to 4096 x 2160 x 36bpp@60Hz	Certifications	CE/UKCA
Storage	1 x 2.5" SSD 1 x M-key 2242 (SATA)		
System Expansion	1 x E-Key 2230 (PCIex1, USB2.0)		
Supported O/S	Windows 10 / Windows 10 IoT / Windows 11 / Linux		
External Interfaces	4 x USB3.2 Gen2 2 x RJ45 LAN 2 x RS232/422/485 (4 x RS232 available on request) 1 x HDMI 2.0 1 x DP 1.4a		
LED's and Switches	Power (PC on LED) Hard disk access LED ATX system control switch		
Main board Power options	Supports DC input: 9-32VDC on Phoenix connector		
Mechanical	Design: Rugged compact embedded design Cooling: Fanless design Construction: Extruded Aluminium Colour: Black Dimension: 80 x 200 x 1.45mm (W x H x D) Gross Weight: 1.3kg		

Rear I/O plate

