

# PCREA480



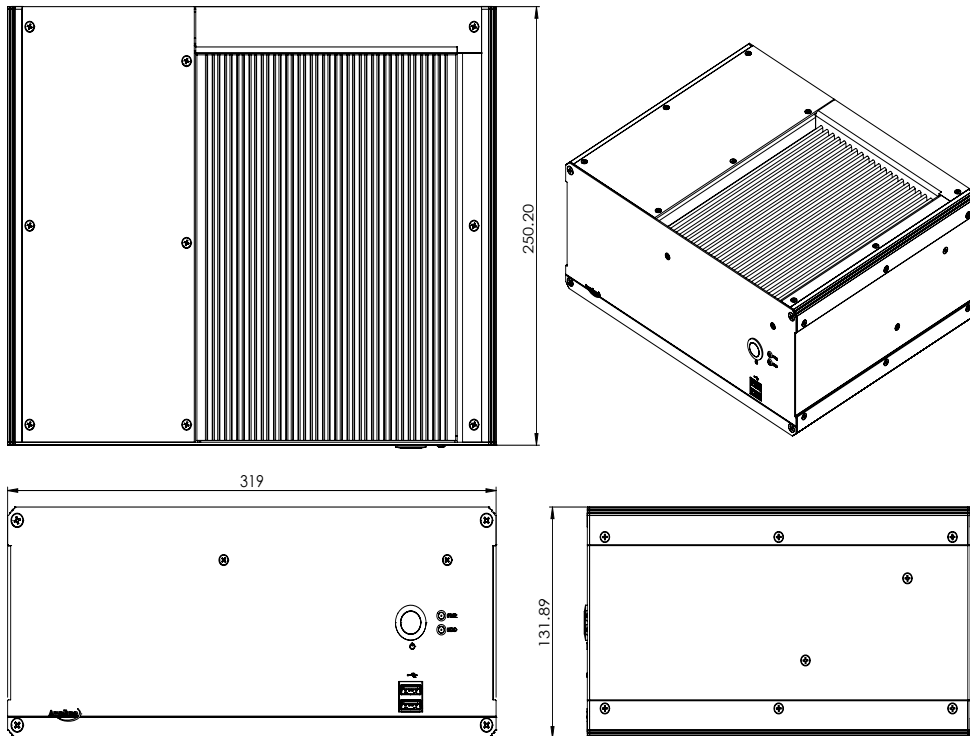
## Features

The Impact-E 480 is a compact, low power embedded system, utilising Intel® 8th and 9th Generation mobile iCore™ processing technology. This achieves high processing power with minimal power draw.

Key features:-

- Low power consumption
- High end processing power
- 4 Slot expansion system
- 3 year warranty
- 15 Year life cycle

## Dimensions



# PCREA 480

## Specifications

The information is believed to be accurate. However Amplicon Liveline Limited accepts no responsibility for any problems caused by errors and omissions. Specifications are subject to change without notice.

Hardware specifications	CPU: 8th Generation Intel® Core™ Processors, LGA 1151 Socket, TDP up to 35W 9th Generation Intel® Core™ Processors, LGA 1151 Socket, TDP up to 35W Main memory: 4GB SODIMM DDR4 (max: 32GB 2666MHz MHz) Chipset: Intel® Q370 LAN: Dual integrated 10/100/1000 network connection	Main board power options	Supports DC input voltage +9-36VDC
BIOS	AMI	Mechanical	Design: Rugged compact embedded design Cooling: Fanless design Construction: Extruded Aluminium Colour: Black Dimension: 319 x 132 x 250mm (W x H x D) Gross Weight: 3.6kg
Storage	2 x 2.5" SSD/HDD Support for RAID 0 and 1	Environmental operation	Acoustic noise: Near silent operation Operating Temperature: 0 °C to 55 °C Humidity: 0 to 90% non-condensing
System expansion	Impact-E481: <ul style="list-style-type: none"> <li>1 x PCIe x4 (Gen 3)</li> <li>1 x PCIe x16 (Gen2)n (X1 Signal)</li> <li>2 x PCI</li> <li>1 x M.2 2280 M Key (PCIe Gen3 x 4)</li> <li>1 x M.2 2230 E Key (USB/PCIe)</li> </ul> Impact-E482: <ul style="list-style-type: none"> <li>1 x PCIe x4 (Gen 3)</li> <li>3 x PCI</li> <li>1 x M.2 2280 M Key (PCIe Gen3 x 4)</li> <li>1 x M.2 2230 E Key (USB/PCIe)</li> </ul>	Environmental storage	Temperature: -20°C to 70°C Humidity : 5% to 90% @ 20°C
Supported O/S	Windows 10 / Windows 10 IoT / Linux	Electromagnetic compatibility (EMC)	EN 55022 Class A EN 55024 Electrostatic discharge immunity test (EN61000-4-2) Enclosure port ±4kV Contact, applied to enclosure port ±8kV Air, applied to enclosure port  Radiated, radio-frequency, electromagnetic field immunity test (EN61000-4-3)  Enclosure port 80-1000MHz, 10 V/m (RMS, no modulation) 80% Modulation with 1kHz Sine wave  Electrical fast transient/burst immunity test (EN61000-4-4) Power port inc. protective earth Severity ±0.5kV  Immunity to conducted disturbances induced by radio frequency fields (EN61000-4-6)  Power port inc. protective earth via CDN M3 0.15-80MHz, 10 V/m (no modulation) 80% Modulation with 1kHz Sine wave, applied via CDN  Amplicon own a fully equipped EMC facility and can provide many additional tests to meet your requirements.
External Interfaces	4 x USB 3.1 2 x USB2.0 (Front) 2 x RJ45 LAN 2 x RS-232 2 x RS-232/422/485 2 x DP++ 1 x VGA (Optional)	Certifications	CE
Display	DP1.2: resolution up to 4096x2304 @ 60Hz		
LED and switches	Power (PC on LED) Hard disk access LED ATX system control switch		

## Rear I/O Plate

