

PCRPA101A



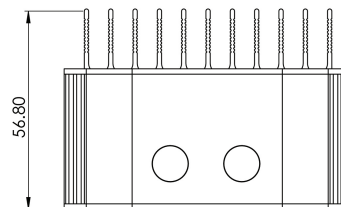
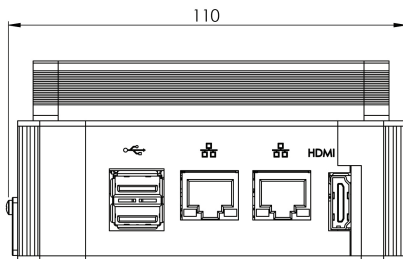
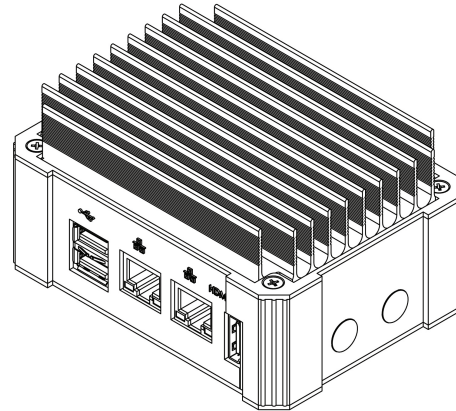
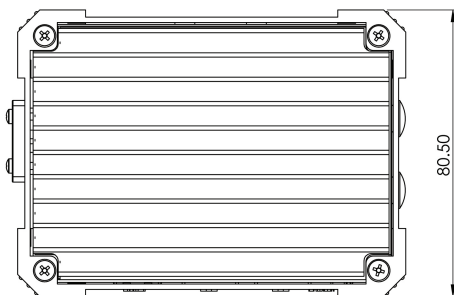
Features

The IoT Edge ready Impact-P 101A is an ultra-compact, DIN Rail mountable, low power embedded system, utilising the superb Intel Atom E3940 processing technology.

Key features:

- 3 year warranty
- 15 year life cycle
- DIN Rail Mount

Dimensions



PCRPA 101A

Specifications

The information is believed to be accurate. However Amplicon Liveline Limited accepts no responsibility for any problems caused by errors and omissions. Specifications are subject to change without notice.

Hardware Specification	CPU: Intel Atom E3940 SOC Main memory: 4GB LPDDR4 LAN: Dual integrated 10/100/1000	Environmental Operation	Acoustic noise: Near silent operation Operating Temperature: -40°C to 85°C (with wide temp components) Humidity: 0 to 95% non-condensing
BIOS	AMI EFI	Environmental Storage	Temperature: -40°C to 85°C Humidity: 5% to 95% RH Non-condensing
Display	HDMI 1.4b: up to 3840 x 2160 at 30Hz		
Storage	32GB EMMC	Certifications	CE/UKCA
System Expansion	1 x Full size mPCIe M.2 E-Key 2230 (PCIe x1, USB 2.0)		
Supported O/S	Windows 10, Windows 10 IoT, Linux		
External Interfaces	2 x USB 3.0 Front 2 x RJ45 LAN 1 x HDMI		
Main board power options	Supports DC input: 12VDC or 24VDC DC on Phoenix connector		
Mechanical	Design: Rugged compact embedded design Cooling: Fanless design Construction: Aluminium with carbon fibre composite Colour: Black Dimensions: 110 x 56.8 x 80.5mm (WxHxD) Gross Weight: 400g		

Rear I/O plate

