

AW-8800

Front / Rear Diagram



Tamazone

Tamazone Workstation AW-8800

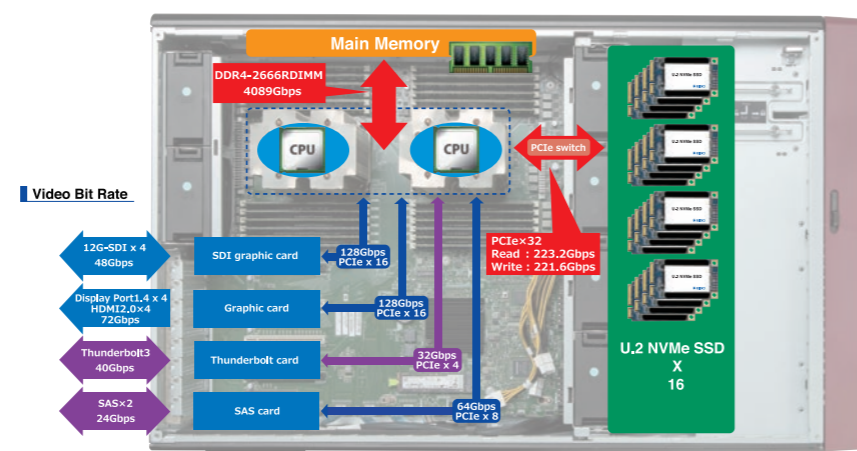
ASTRO

ALTRONICS

Features

- Maximum 56 CPU cores
- Maximum 6TB of main memory
- Space for up to 4 double height GPUs
- Built-in storage with speeds capable of real-time read/write for 8K video
- Large capacity, redundant power supply

Data Flow



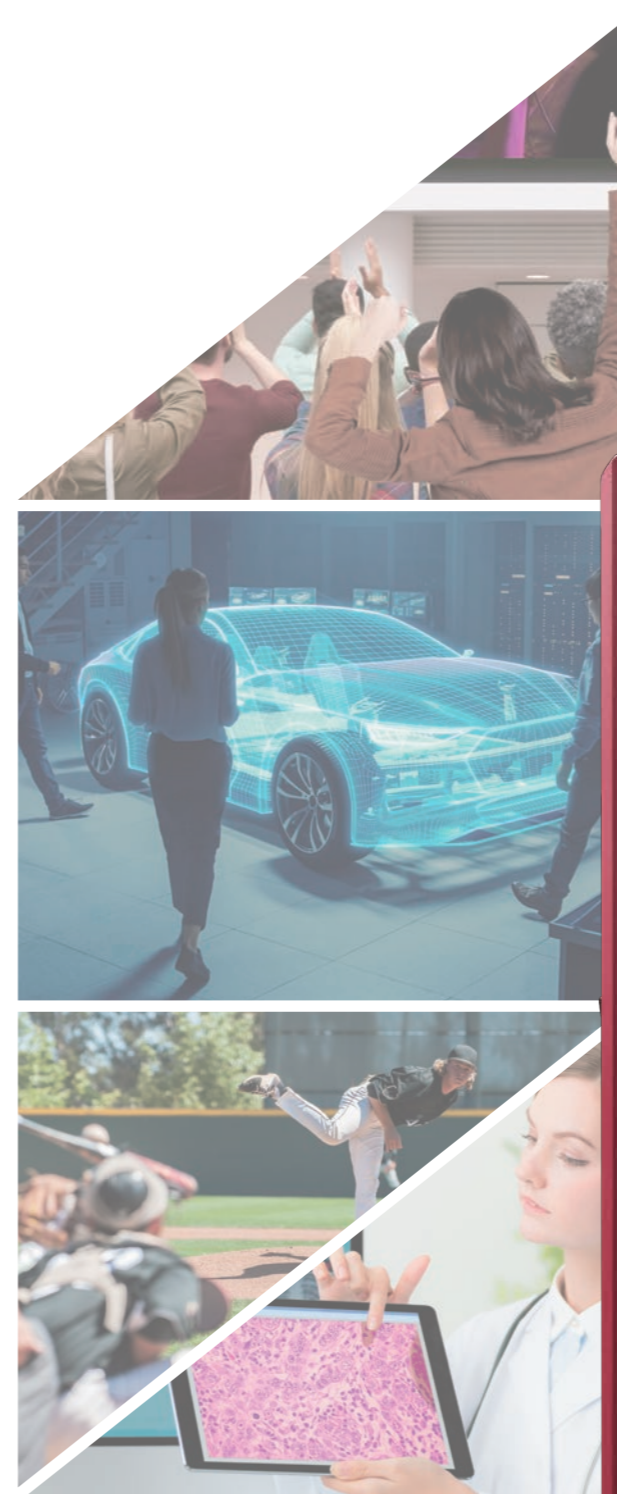
Sequential Read / Write Function

	Sequential Read / Write speed
Read	27.9GB/s
Write	27.7GB/s

Specifications

CPU / Memory / GPU / Storage can be customized according to the application

Item	Description	Item	Description
Body	5U Chassis, 28.7"(L)×18.0"(H)×8.54"(W)	USB 3.0 Ports×4	USB 2.0 Ports×2
Motherboard	Purley Platform, 16.7"×15.7"	Line-IN/Microphone-IN×1	1GbE R45 Ethernet×1
CPU	Intel® Xeon® Processor×2	1GbE R45 Management Ethernet×1	COM Port×1
Memory	DDR4-2666 8GB×24	VGA Port×1	
C:drive	Intel® 512GB NVMe SSD	USB 3.1 Gen2 type-A×1	USB 2.0 Ports×2
D:drive	2.5" U.2 NVMe SSDs×16	USB 3.1 Gen2 type-C×1	Power Button×1
PCIe Slot	Slot1: PCIe Gen3×16	Reset Button×1	Line-IN/Microphone-IN×1
	Slot2: PCIe Gen3×16	BMC	AST2520
	Slot3: PCIe Gen3×16	Power	(3)2+1 1300W Redundant high efficiency PSU (Input: 90-240V)
	Slot4: PCIe Gen3×16	ACPI	S0, S1, S3, S4, S5, Deep Sleep
	Slot5: PCIe Gen3×4 (DMI)	OS	Windows 10 Pro for Workstations
Network	1GbE RJ45 Ethernet		
	1GbE RJ45 Management Ethernet		



Transmission

Experience a
Virtual Adventure

With up to 56 cores of processing power, implementation of dual processors enables encoding and transmission to remote locations in real-time, providing access to enthralling live high-definition video of events, such as sports matches and music festivals, even more thrilling than the event itself. Expansive PCIe slots can be equipped with up to four dual-slot graphic cards, boosting the quality of incoming transmitted video via additional elements such as real-time CG synthesis.



Multi-platform HPC for the Handling of Heavy Data and Beyond

Analysis

Make the
Invisible Visible

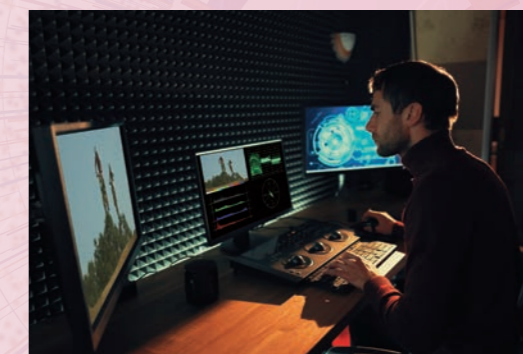
Possible to detect abnormalities using Deep Learning and medical imaging in the field of medicine, as well as track players and quantify statistics including pitching speeds and flight distances in the field of sports. Parallel processing using multi-core processors and GPUs enables simultaneous recognition of multiple people and objects captured at high resolution, contributing to an improved recognition rate.



Correction

Minimize
Your Workload

Broadband internal buses and expansive PCIe slots allow for comfortable 8K native editing. Features such as real-time timeline playback and reduced export time made possible by high-speed storage I/O exceeding 27 GB/s eliminate bottlenecks in the editing process.



Editing software can be used by simply installing any commercially available software. ASTRODESIGN completes performance verifications for each application and is constantly working to maximize Tamazone's performance.

- Efficient editing of 8K60p video
- Real-time timeline playback of 8K60p video
- Simultaneous editing of multiple streams of 4K video
- Reduced export time
- High-speed data transfer to external storage

Development

Discover the Simplicity
in Complexity

High-speed processing of simulations requiring advanced computation, such as modeling that includes massive amounts of complicated shapes and parts, is made possible. High-speed, high-capacity memory and storage allows users to reduce the latency and export time required to render and simulate ultra-heavy 3D-CAD, which has been a major challenge.

