

# 8K Cross Converter

## SC-8229

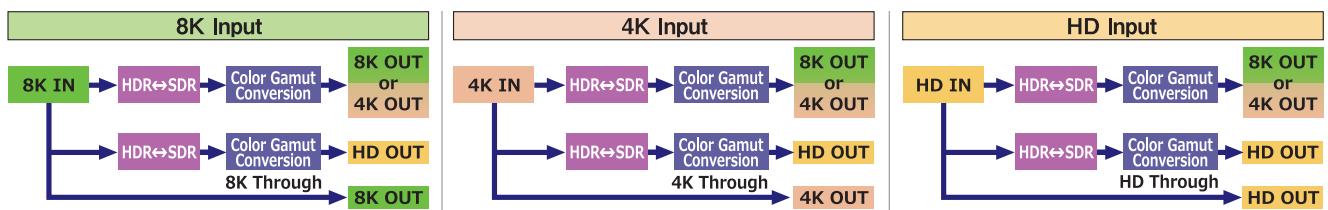
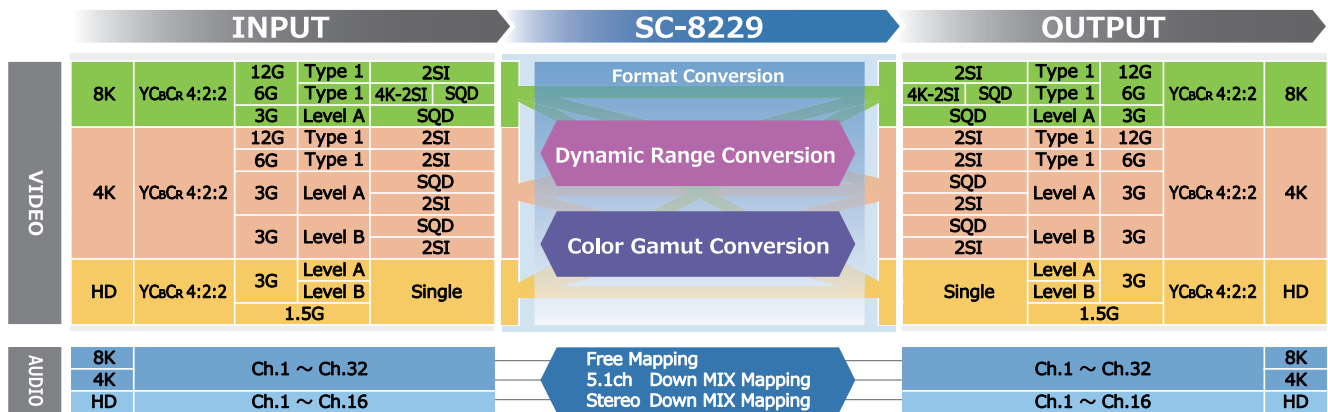


This converter up-converts and down-converts 8K YCbCr 4:2:2, 4K, and HD video signals. It is equipped with 3D LUT for color gamut conversion and dynamic range conversion.

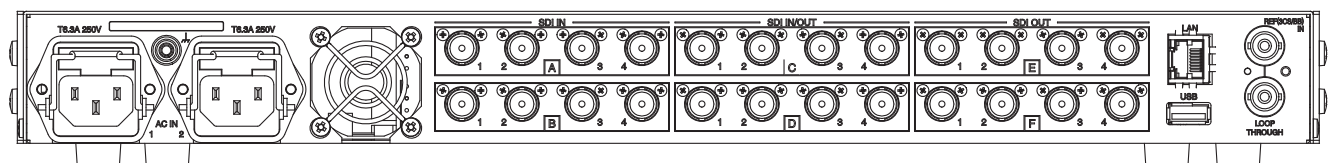
### Features

- Up-conversion and down-conversion of various video signals of 8K YCbCr 4:2:2, 4K and HD.
- Equipped with 3D LUT and supports color gamut conversion and dynamic range conversion
- Supports 12G-SDI/6G-SDI
- FS function
- Supports ancillary data
- 32ch audio support, mapping change, downmix function
- Preset function
- Status function
- Test pattern output
- Supports remote control via LAN
- Redundant power supply

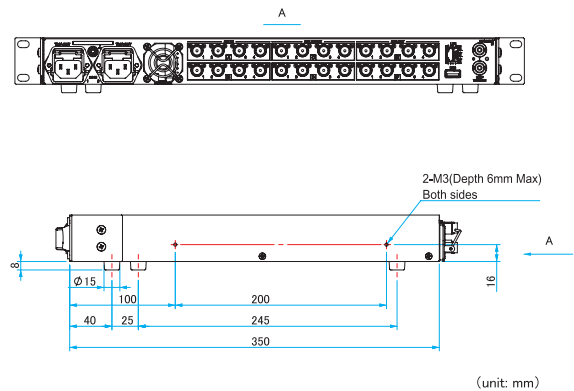
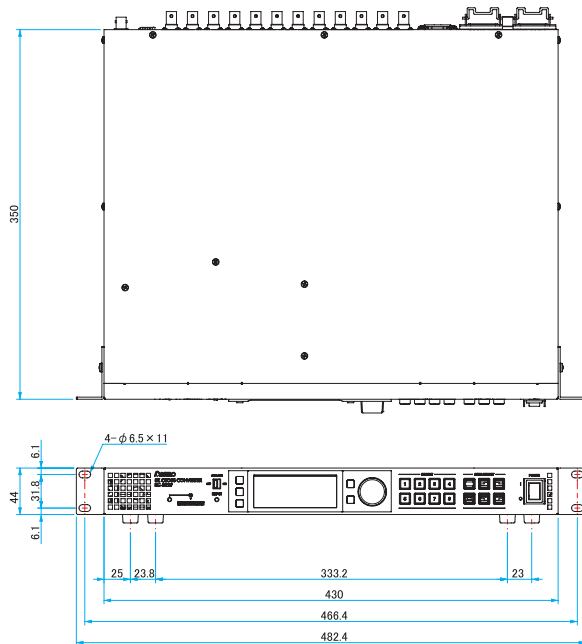
### Conversion



### Rear View



## Dimensions



(unit: mm)

## Specifications

SDI I/O							
	BNC	Resolution	Frame Rate	Colorimerty	SDI Format		Standards
8K	4	7680 × 4320	50p/59.94p/60p	YCbCr 4:2:2 10bit	12G-SDI	Type 1 2SI	SMPTE ST 2082-1/12
			23.98p/24p/25p/29.97p/30p	YCbCr 4:2:2 10bit	12G-SDI	Type 1 4K (2SI) × 4	SMPTE ST 2082-1/10
	16	7680 × 4320	50p/59.94p/60p	YCbCr 4:2:2 10bit	3G-SDI	Level A SQD	SMPTE ST 424-1
4K	1	3840 × 2160	50p/59.94p/60p	YCbCr 4:2:2 10bit	12G-SDI	Type 1 2SI	SMPTE ST 2082-1/10
	1	3840 × 2160	23.98p/24p/25p/29.97p/30p	YCbCr 4:2:2 10bit	6G-SDI	Type 1 2SI	SMPTE ST 2081-1/10
			23.98p/24p/25p/29.97p/30p	YCbCr 4:2:2 10bit	3G-SDI	Level A/B 2SI/SQD	SMPTE ST 424-1/425-3
	4	3840 × 2160	50p/59.94p/60p	YCbCr 4:2:2 10bit	3G-SDI	Level A/B 2SI/SQD	SMPTE ST 424-1/425-5
			23.98p/24p/25p/29.97p/30p 23.98PsF/24PsF/25PsF/ 29.97PsF/30PsF	YCbCr 4:2:2 10bit	HD-SDI		SMPTE ST 424-1/425-3
HD	1	1920 × 1080	50p/59.94p/60p	YCbCr 4:2:2 10bit	3G-SDI	Level A/B	SMPTE ST 424-1
	1	1920 × 1080	23.98p/24p/25p/29.97p/30p 23.98PsF/24PsF/25PsF/ 29.97PsF /30PsF 50i/59.94i/60i	YCbCr 4:2:2 10bit	HD-SDI		SMPTE ST 292M
ANC Data		Standards					
Audio		ARIB STD-B32, ARIB STD-B21, ARIB STD-B64/48kHz, 24bit, 32ch					
Time Code		ARIB STD-B4, ARIB STD-B68 *ANC data other than audio is not superimposed when FS function is on					
Other		ARIB TR-B22, ARIB TR-B23 *ANC data other than audio is not superimposed when FS function is on					
Function				Reference			
Conversion		Downconversion : 8K→4K&HD, 4K→HD		Format	NTSC BB Synchronization signal input (EIA RS 170A Compliant)		
		Upconversion : 4K→8K, HD→4K, HD→8K			HD3 Synchronization signal input (SMPTE240M/274M/296M Compliant)		
Color Gamut Conversion		3D LUT Conversion: ITU-R BT.709, BT.2020			(Only works for 1920 × 1080/59.94i, 1920 × 1080/60i, 1920 × 1080/50i)		
Dynamic Range Conversion		3D LUT Conversion: HLG, PQ (BT.2100)		Loop Through Function	75 Ω with no through output connection, automatic termination		
Option		SR Live for HDR					
Delay of Output Signal				General Specification			
REF Input		33.3(ms)+ Genlock adjustment value		Power Requirements	AC 100 – 240V		
Active Through		1 line from Input SDI (Under 14.8μs)		Power Consumption	100W MAX		
Other				Operating Temperature Range	+5 to 40°C		
SD Card		For maintenance and log use		Operating Humidity Range	20 to 80%RH (No Condensation)		
LAN		Ethernet 100 Base-TX control		Dimensions	430 (W) × 44 (H) × 350 (D) mm (Excluding Protrusions)		
USB 2.0		USB 2.0 Type-A		Weight	4.5kg		

\* The specifications are subjected to change without notice.