

Interface Adapter

IA-1567



COVAN

COVAN series products



IA-1566 is an interface adapter that can mutually convert between HDMI 2.1 and 12G/6G-SDI signals that support 8K and 4K.

It can be used to connect SDI devices to 8K TVs or 4K 120Hz monitors, or to connect game consoles or GPUs to SDI devices.

Main Functions

- Mutual conversion between HDMI 2.1 and 12G/6G-SDI
- Supports various formats
 - 7680x4320 (2SI) 60p/59.94p/50p/30p/29.97p/25p/24p/23.98p
 - 7680x4320 (SQD) 60p/59.94p/50p
 - 4096x2160 (2SI) 60p/59.94p/50p/48p/47.95p
 - 3840x2160 (2SI) 120p/119p/100p/60p/59.94p/50p/48p/47.95p
 - 3840x2160 (O/E) 120p/119p/100p (60p/59.94p/50p x2)
- Small and lightweight
- 3D LUT function

Connection Example

12G-SDI to HDMI 2.1 (8K 60p)

8K Recorder (HR-7518) → 8KTV



12G-SDI to HDMI 2.1 (4K 120p)

4K Recorder (IR-7523) → 4K 120Hz Monitor



HDMI 2.1 to 12G-SDI (8K 60p)

8K Player → 8K Projector (INSIGHT Laser 8K Imaging by ASTRO)

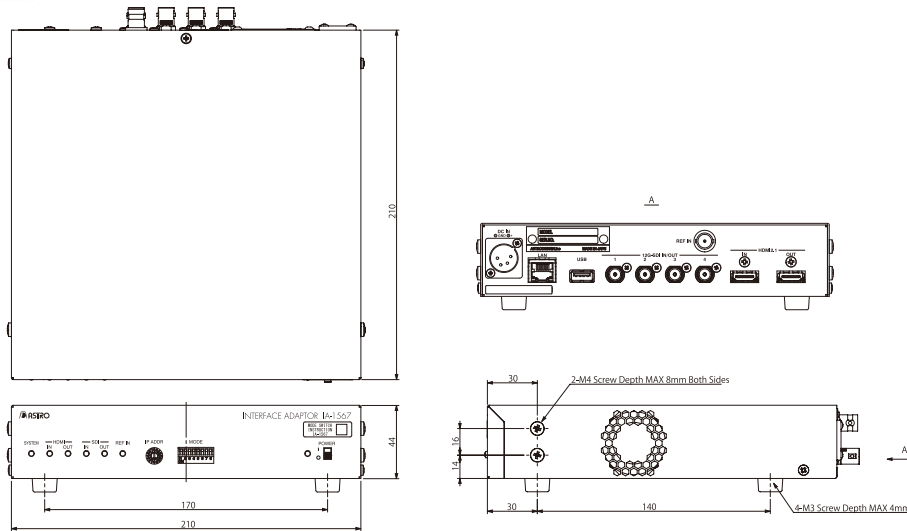


HDMI 2.1 to 12G-SDI (4K 120p)

Game console, GPU → 4K 120Hz Recorder (IR-7523)



Dimensions



Specifications

SDI Input Output									
Format	Link	Resolution	Frame Rate	Sampling Structure/ Pixel Depth	Interface			Related standards	
8K	Quad	7680 × 4320	60p/59.94p/50p	YCbCr 4:2:2 10bit	12G-SDI	Type1	2SI	SMPTE ST 2082-1/12	
	Quad(SQD)	7680 × 4320	60p/59.94p/50p	YCbCr 4:2:2 10bit	12G-SDI	Type1	4K(2SI) × 4	SMPTE ST 2082-1/10	
	Quad	7680 × 4320	30p/29.97p/25p/24p/23.98p	YCbCr 4:2:2 10bit	6G-SDI	Type1	2SI	SMPTE ST 2081-1/12	
	Dual	7680 × 4320	30p/29.97p/25p/24p/23.98p	YCbCr 4:2:2 10bit	12G-SDI	Type1	2SI	SMPTE ST 2082-1/11	
4K	Quad	3840 × 2160	120p/119.88p/100p	YCbCr 4:2:2 10bit	6G-SDI	Type1	2SI	SMPTE ST 2081-1/12	
	Dual	3840 × 2160	120p/119.88p/100p	YCbCr 4:2:2 10bit	12G-SDI	Type1	2SI	SMPTE ST 2082-1/11	
	(Odd/Even)	3840 × 2160	120p/119.88p/100p	YCbCr 4:2:2 10bit	12G-SDI	Type1	2SI × 2	SMPTE ST 2082-1/10	
	Single	4096 × 2160	60p/59.94p/50p/48p/47.95p	YCbCr 4:2:2 10bit	12G-SDI	Type1	2SI	SMPTE ST 2082-1/10	
	Single	3840 × 2160	60p/59.94p/50p/48p/47.95p	YCbCr 4:2:2 10bit	12G-SDI	Type1	2SI	SMPTE ST 2082-1/10	

HDMI 2.1 Input Output										
Format	Resolution	Frame Rate	Sampling Structure/ Pixel Depth	FRL Rate ✓ : Supported					TMDS	Remarks
				10G/4L	8G/4L	6G/4L	6G/3L	3G/3L		
8K	7680 × 4320	60p/59.94p/50p	YCbCr 4:2:0 10bit	✓						HDCP: Not supported DSC: Not supported Related standards: CTA-861-G
		60p/59.94p/50p	YCbCr 4:2:0 8bit	✓	✓					
		30p/29.97p/25p/24p/23.98p	RGB 4:4:4 10bit	✓						
		30p/29.97p/25p/24p/23.98p	RGB 4:4:4 8bit	✓	✓					
		30p/29.97p/25p/24p/23.98p	YCbCr 4:4:4 10bit	✓						
		30p/29.97p/25p/24p/23.98p	YCbCr 4:4:4 8bit	✓	✓					
		30p/29.97p/25p/24p/23.98p	YCbCr 4:2:2 10bit	✓						
		30p/29.97p/25p/24p/23.98p	YCbCr 4:2:2 8bit	✓	✓					
		30p/29.97p/25p/24p/23.98p	YCbCr 4:2:0 10bit	✓	✓	✓				
		30p/29.97p/25p/24p/23.98p	YCbCr 4:2:0 8bit	✓	✓	✓	✓			
4K	3840 × 2160	120p/119.88p/100p	RGB 4:4:4 10bit	✓						
		120p/119.88p/100p	RGB 4:4:4 8bit	✓	✓					
		120p/119.88p/100p	YCbCr 4:4:4 10bit	✓						
		120p/119.88p/100p	YCbCr 4:4:4 8bit	✓						
		120p/119.88p/100p	YCbCr 4:2:2 10bit	✓						
		120p/119.88p/100p	YCbCr 4:2:2 8bit	✓	✓					
	4096 × 2160	3840 × 2160	120p/119.88p/100p	YCbCr 4:2:0 10bit	✓	✓	✓			
			120p/119.88p/100p	YCbCr 4:2:0 8bit	✓	✓	✓	✓		
			60p/59.94p/50p/48p/47.95p	RGB 4:4:4 10bit	✓	✓	✓			
			60p/59.94p/50p/48p/47.95p	RGB 4:4:4 8bit	✓	✓	✓	✓	✓	
3840 × 2160	3840 × 2160	60p/59.94p/50p/48p/47.95p	YCbCr 4:4:4 10bit	✓	✓	✓				
		60p/59.94p/50p/48p/47.95p	YCbCr 4:4:4 8bit	✓	✓	✓	✓	✓		
		60p/59.94p/50p/48p/47.95p	YCbCr 4:2:2 10bit	✓	✓	✓	✓	✓		
		60p/59.94p/50p/48p/47.95p	YCbCr 4:2:2 8bit	✓	✓	✓	✓	✓		
		60p/59.94p/50p/48p/47.95p	YCbCr 4:2:0 10bit	✓	✓	✓	✓	✓		
		60p/59.94p/50p/48p/47.95p	YCbCr 4:2:0 8bit	✓	✓	✓	✓	✓		

Audio Performance		Reference Input	
Sampling Frequency	48kHz	Format	Black burst input (Compliant with EIA RS-170A)
Quantization	24bits		Tri-level sync input
Number of Audio Channels	Max 32ch (HDMI: Up to 8ch)		(Compliant with SMPTE 240M/274M/296M)

General			
Power Requirements	DC 12V	Operating Humidity Range	20 – 80%RH (No Condensation)
Power Consumption	50W MAX	Dimensions	210(W) × 44(H) × 210(D)mm (Excluding Protrusions)
Operating Temperature Range	+5 to 40°C	Weight	Approx. 2.0kg